

SWADOH

NEW ORLEANS | PARIS

OISEAU HANGING (PETITE)

HANGING

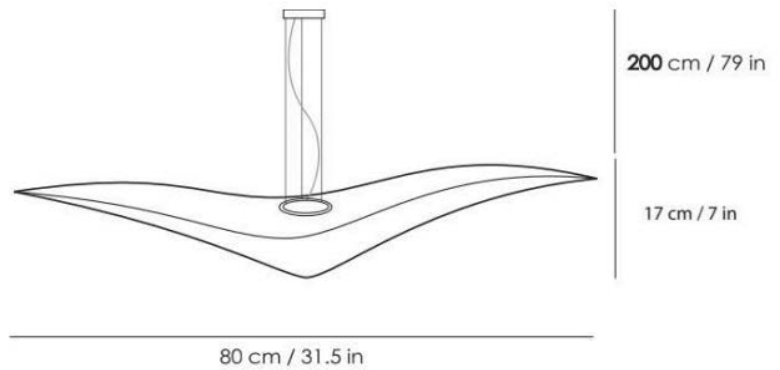
CW01OIS5011

DIMENSIONS

Length	31.5in / 80cm
Width	10in / 25cm
Height	7in / 17cm
Cable Length	79in / 200cm

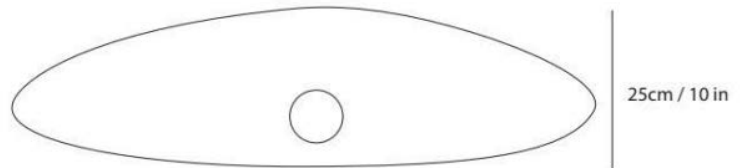
MOUNTING

Recommended Installers:	2
Weight:	5lbs
Canopy:	4.33in / 12cm
Junction Box:	Standard



LAMP / WIRING

Bulb(s):	LED E12 x 1
Max Wattage:	60W
Dimmable	
Driver Not Required	
120 V Wiring	



RATING

Suitable for DRY locations
UL Listed



SWADOH

NEW ORLEANS | PARIS

OISEAU HANGING (GRAND)

HANGING

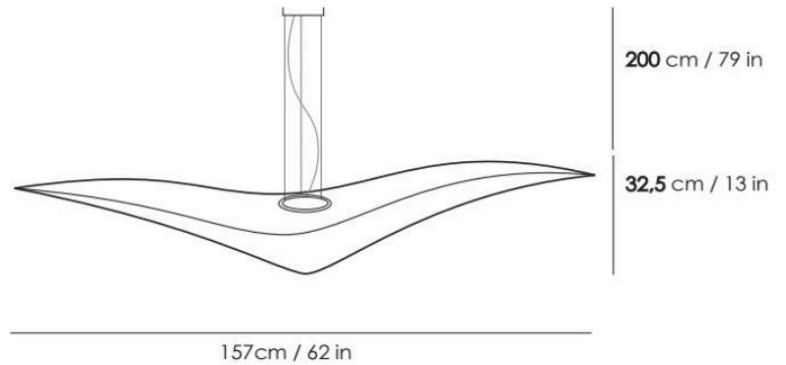
CW01OIS5013

DIMENSIONS

Length	62in / 157cm
Width	18.5in / 47cm
Height	13in / 32.5cm
Cable Length	79in / 200cm

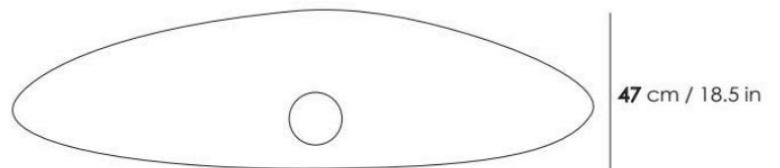
MOUNTING

Recommended Installers:	2
Weight:	6lbs
Canopy:	4.33in / 12cm
Junction Box	Standard



LAMP / WIRING

Bulb(s):	LED E26 x 2
Max Wattage:	60W
Dimmable	
Driver Not Required	
120 V Wiring	



RATING

Suitable for DRY locations
UL Listed

