

SWADOH

NEW ORLEANS | PARIS

NUAGE GUIRLANDE HANGING HARD WIRED

HANGING

CW01NUA5111

DIMENSIONS

Length	20 in / 50 cm
Width	14 in / 35 cm
Height	98 in / 250 cm

MOUNTING

Recommended Installers	1
Weight	9 lbs
Canopy	4.33 in / 12 cm
Junction Box	standard

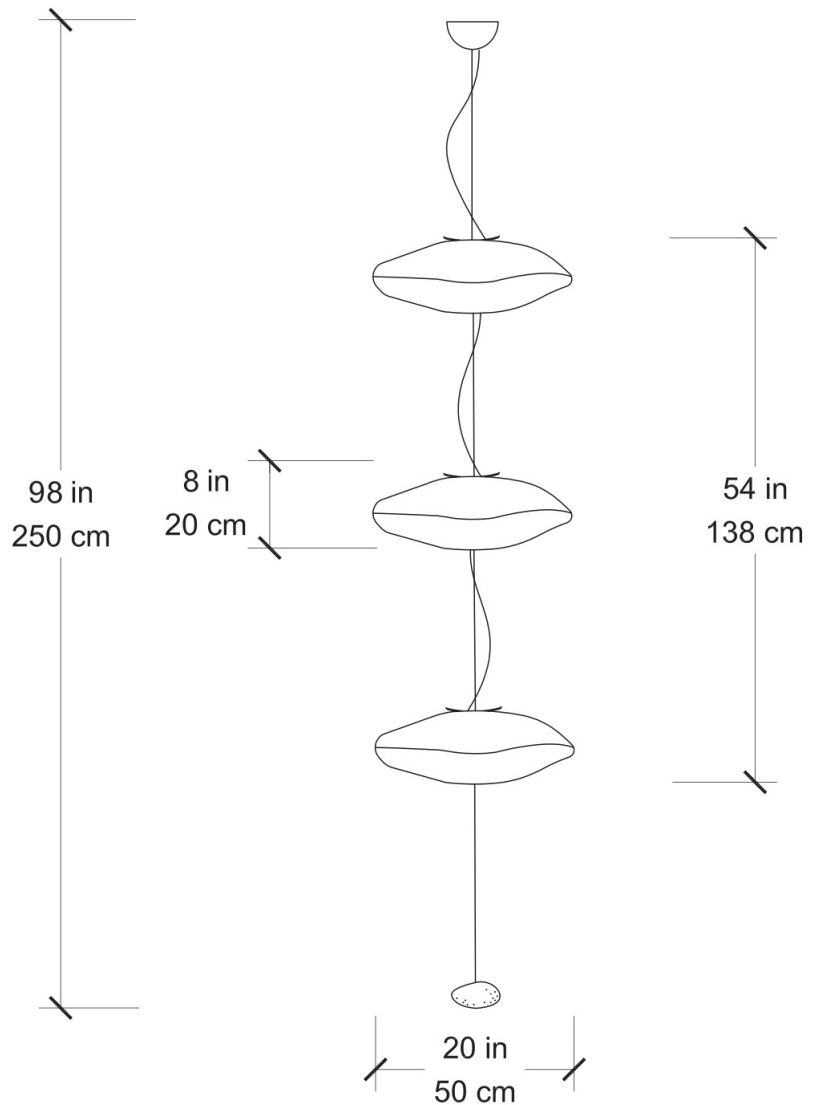
LAMP / WIRING

Bulb(s) LED E26 x 3
Max Wattage 60W
Dimmable
120 V Wiring

RATING

Suitable for DRY locations

UL Listed



SWADOH NEW ORLEANS
SWADOH PARIS

SWADOH

NEW ORLEANS | PARIS

NUAGE GUIRLANDE HANGING SOFT WIRED

HANGING

CW01NUA4111

DIMENSIONS

Length	20 in / 50 cm
Width	14 in / 35 cm
Height	98 in / 250 cm

MOUNTING

Recommended Installers	2
Weight	9 lbs
Canopy	4.33 in / 12 cm

LAMP / WIRING

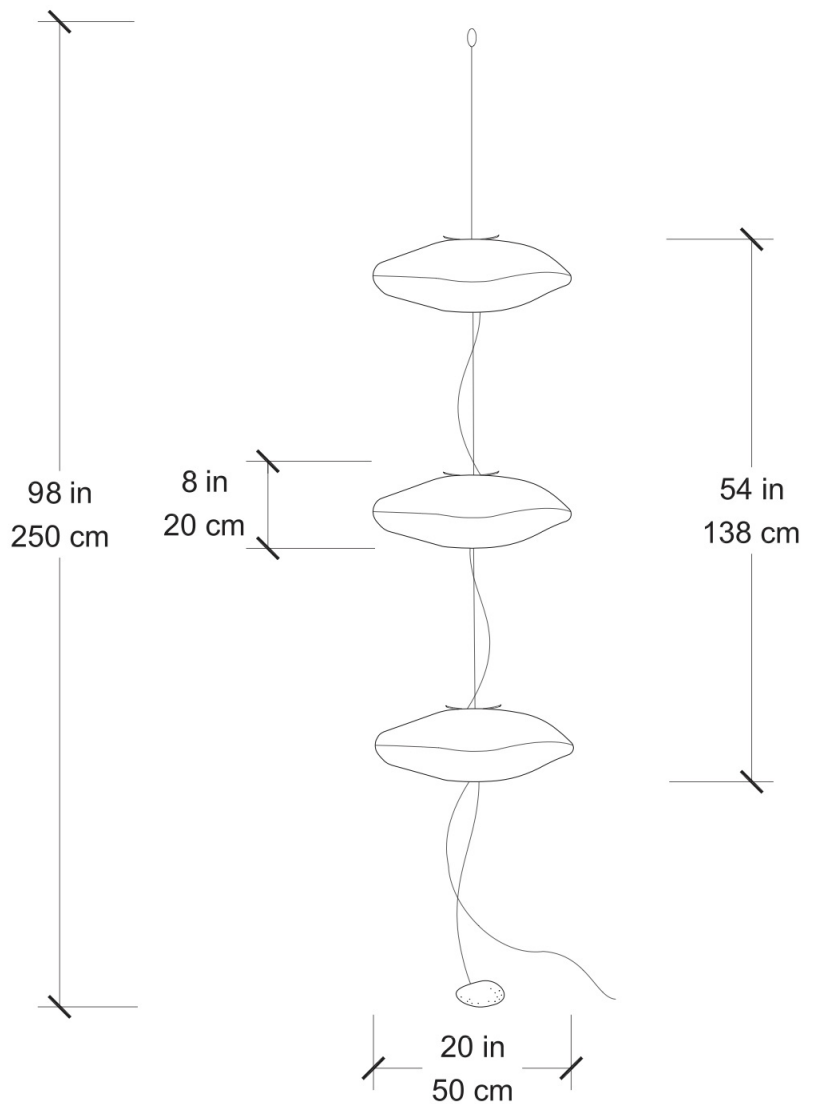
Bulb(s) LED E26 x 3
Max Wattage: 60W

120 V Wiring

RATING

Suitable for DRY locations

UL Listed



SWADOH NEW ORLEANS
SWADOH PARIS