

PRODUCT CATALOG

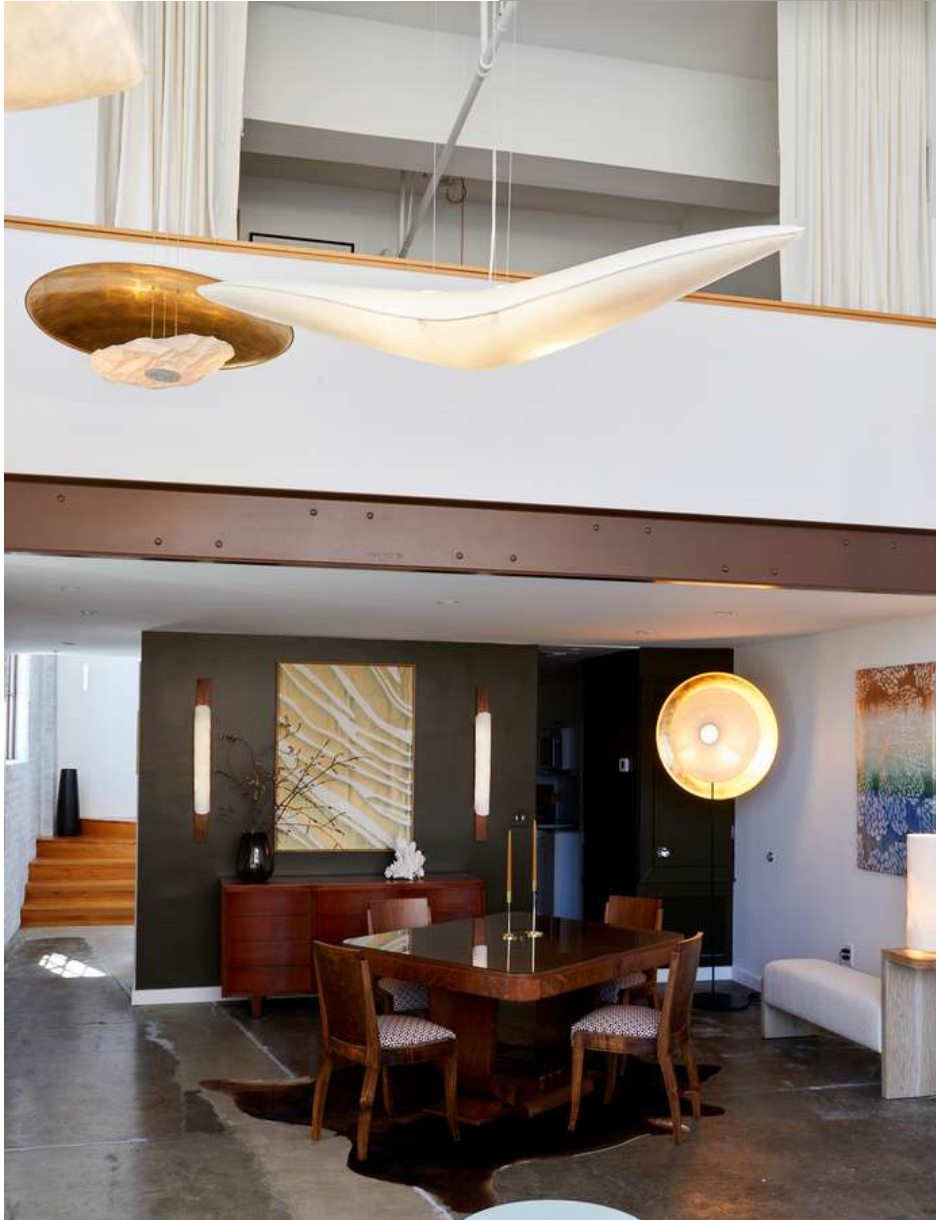
2024



SWADOH.COM

SWADOH

NEW ORLEANS | PARIS



SWADOH

SWADOH is a creative studio seeking a harmonious blending of artistic expression and a high level of craftsmanship. We dedicate our effort to bring together these two elements to create works of art that are not only aesthetically pleasing but also demonstrate a mastery of technique and skill. The current collection features lighting, art and materials handcrafted by the finest French artisans.

Each collection emerges from the unique connections between creators and their chosen mediums and is fueled by the belief that thoughtful design elevates spaces.



SWADDOH.COM

CONTENTS

SWADDOH x Morgane Baroghel-Crucq <i>Textile Light Fixture Collections</i>	p.4
MU Studio <i>Soft Stone Light Fixture Collections</i>	p.11
Celine Wright <i>Washi Paper Light Fixture Collections</i>	p.28
Crosland + Emmons <i>Ceramic Light Fixture Collections</i>	p.71

The background of the image is a close-up, artistic shot of draped fabric. The fabric has a fine, woven texture and is illuminated from the side, creating a gradient of warm colors from pale yellow to soft white. The folds and ripples of the fabric create a sense of depth and movement.

SWADOH x Morgane Baroghel-Crucq

Textile Light Fixture Collection



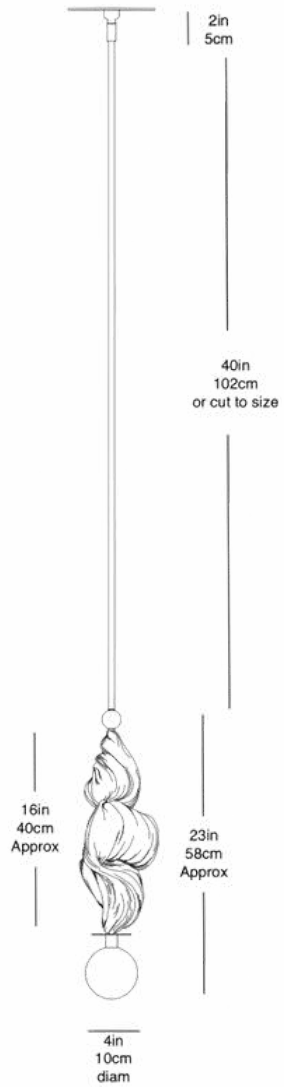
SWADOH x Morgane Baroghel-Crucq

Collection SELENE

At its core, the Selene Collection showcases Morgane Baroghel-Crucq's unique metallic fabric hand woven in France. Each piece within the Collection features delicate, soft light emanating from USA hand-blown glass globes. The collection includes a large selection of options, from model and finishes to accommodate your space.

Each light is handcrafted and remains a unique model.

Selene Pendant



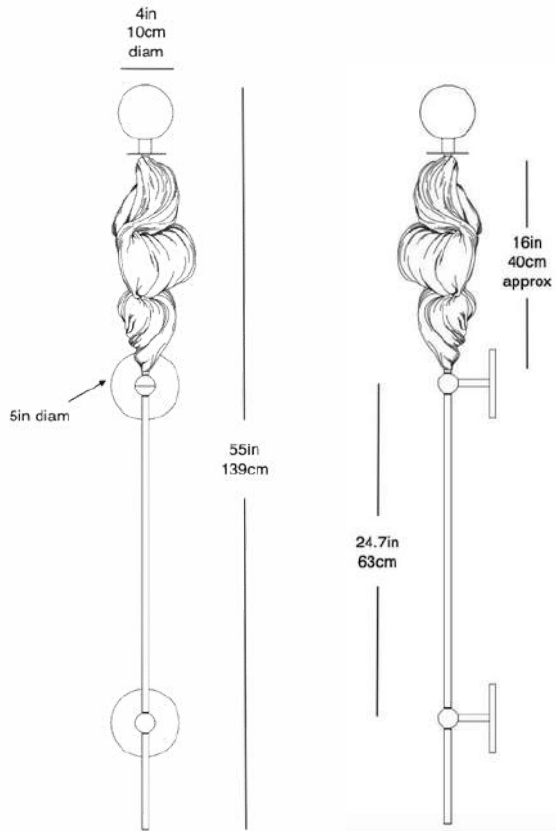
Selene Pendant adorn with a textile hand-woven in France - UL Listed - SWADOH x MBC



Selene Pendant - SWADOH x MBC

Selene Pendant adorn with a textile hand-woven in France - UL Listed - SWADOH x MBC

Selene Wall Sconce



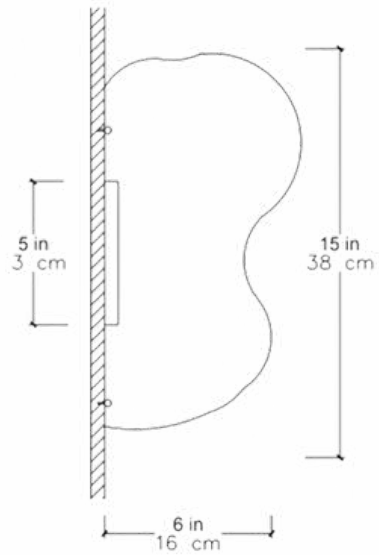
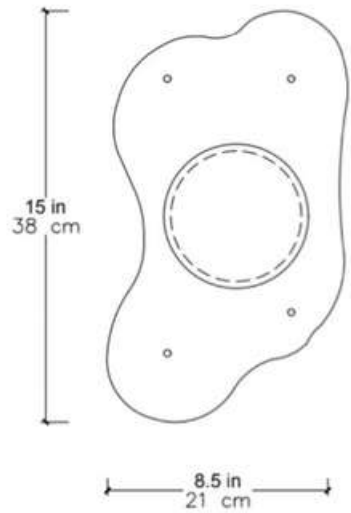
Selene Wall Sconce adorn with a textile hand-woven in France - UL Listed - SWADOH x MBC



Selene Wall Sconce - SWADOH x MBC

Selene Wall Sconce adorn with a textile hand-woven in France - UL Listed - SWADOH x MBC

Selene Flushmount



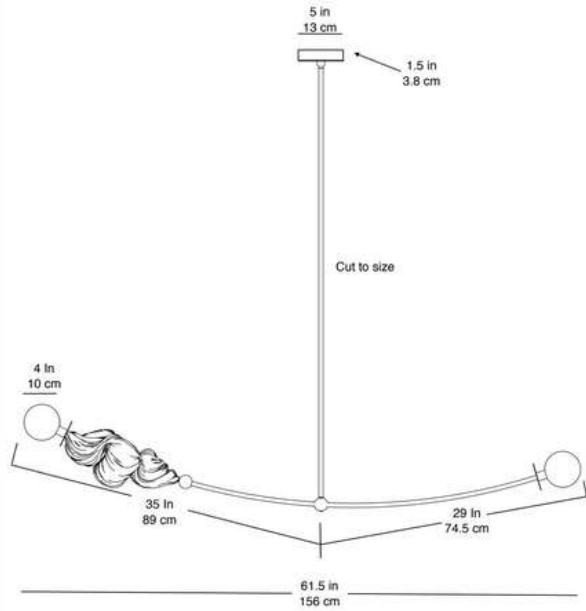
Selene Flushmount hand-woven in France - UL Listed - SWADOH x MBC



Selene Wall Sconce - SWADOH x MBC

Selene Flushmount hand-woven in France - UL Listed - SWADOH x MBC

Selene Single Branch Chandelier



Selene Single Branch Chandelier hand-woven in France - UL Listed - SWADOH x MBC



Selene Single Branch Chandelier - SWADOH x MBC

Selene Single Branch Chandelier hand-woven in France - UL Listed - SWADOH x MBC





MU Studio

Soft Stone Light Fixture Collections



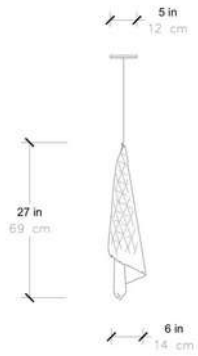
MU Studio

Collection ALBATROS

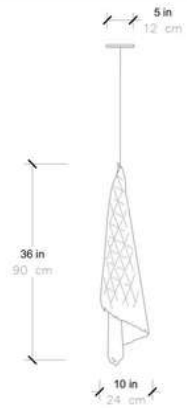
Albatros Collection, is a complete range handmade in Soft Stone in France by MU Studio. The collection includes a selection of options, from sizes and model to accommodate your space.

Each light is handcrafted and remains a unique model.

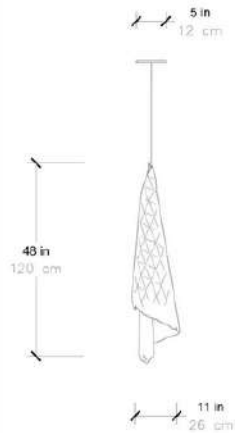
Albatros Hanging - M



Albatros Hanging - L



Albatros Hanging - XL



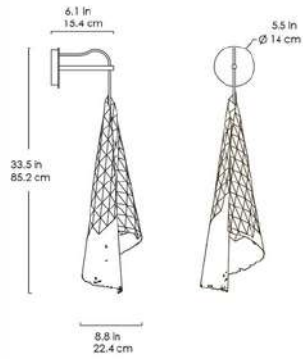
Albatros Hanging handmade in Soft Stone in France - UL Listed - MU Studio



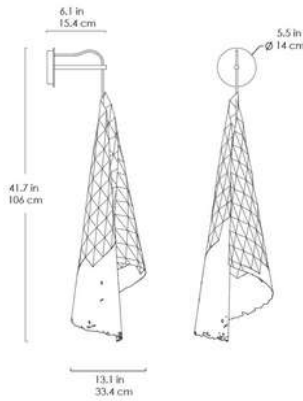
Albatros Hanging M, L and XL- MU Studio

Albatros Hanging handmade in Soft Stone in France - UL Listed - MU Studio

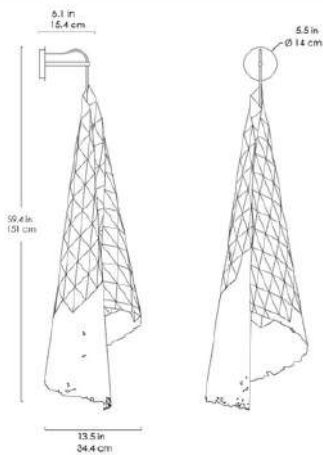
Albatros Wall Sconce - M



Albatros Wall Sconce - L



Albatros Wall Sconce - XL



Albatros Wall Sconce handmade in Soft Stone in France - UL Listed - MU Studio



Albatros Wall Sconce M - MU Studio

Albatros Wall Sconce handmade in Soft Stone in France - UL Listed - MU Studio

ALBATROS FINISH



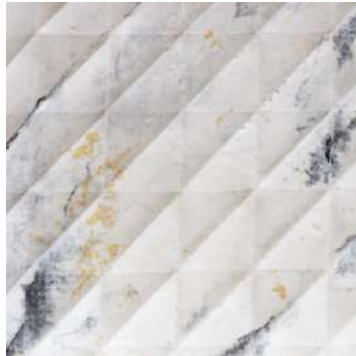
Quartz



Quartz Gold Flecks



Carrara



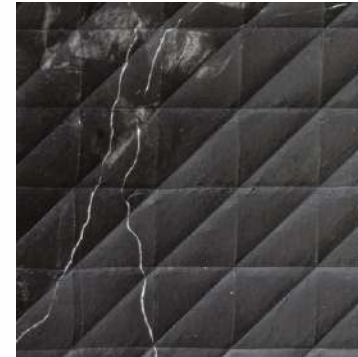
Carrara Gold Flecks



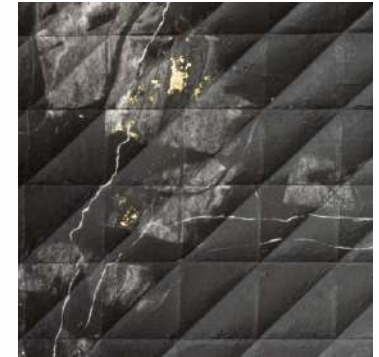
Estremoz



Estremoz Gold Flecks



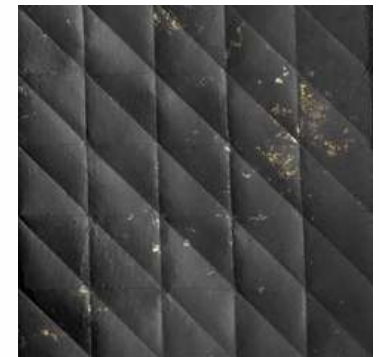
Golzinne



Golzinne Gold Flecks



Hematite



Hematite Gold Flecks

MU Studio Albatros Finish Gallery



rendering by soulteriors

MU Studio

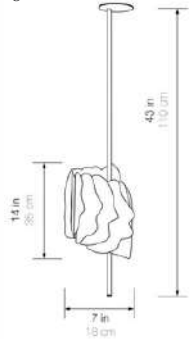
Collection FUNGIA

Fungia Collection, is a complete range handmade in thin sheets of Soft Stone in France by MU Studio. The collection includes a large selection of options, from sizes and model to accommodate your space.

Each light is handcrafted and remains a unique model.

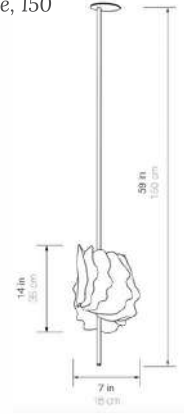
Fungia Stem Mount

18/M - Single, 110



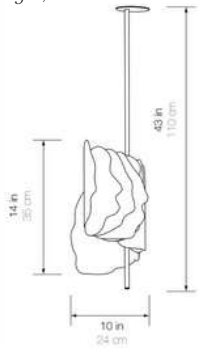
Fungia Stem Mount

18/M - Single, 150



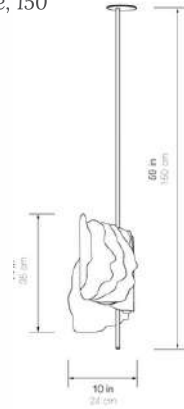
Fungia Stem Mount

24/L - Single, 110



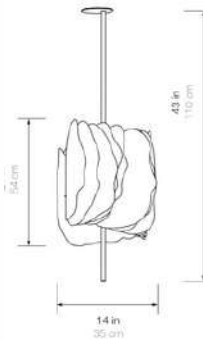
Fungia Stem Mount

24/L - Single, 150



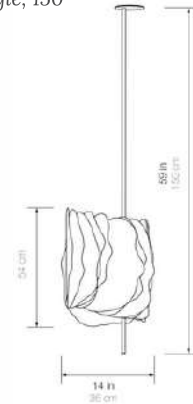
Fungia Stem Mount

35/XL - Single, 110



Fungia Stem Mount

35/XL - Single, 150



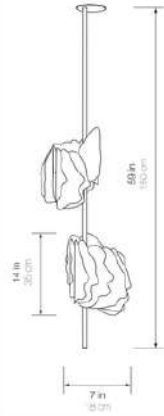
2024



Fungia Stem Mount, 18/M - Single, 110- MU Studio

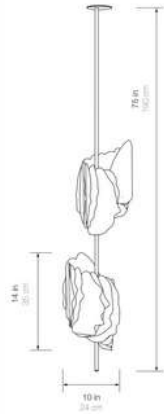
Fungia Stem Mount

18/M - Duo, 150



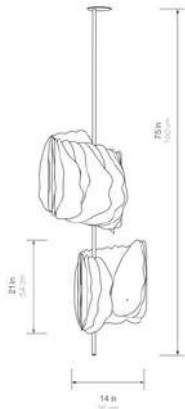
Fungia Stem Mount

24/L - Duo, 190



Fungia Stem Mount

35/XL - Duo, 190



Fungia Duo Stem Mount handmade in Soft Stone in France - UL Listed - MU Studio

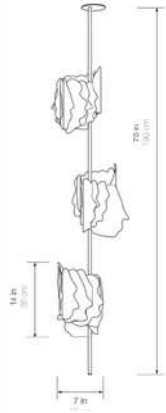


Fungia Stem Mount, 18/M - Duo, 150 - MU Studio

Fungia Duo Stem Mount handmade in Soft Stone in France - UL Listed - MU Studio

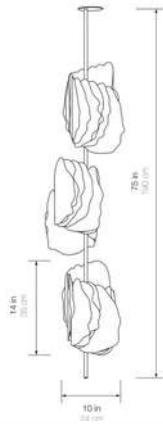
Fungia Stem Mount

18/M - Trio, 190



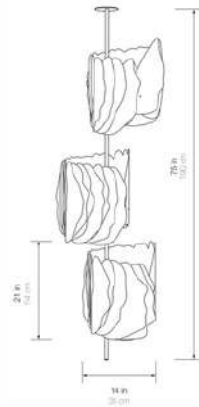
Fungia Stem Mount

24/L - Trio, 190

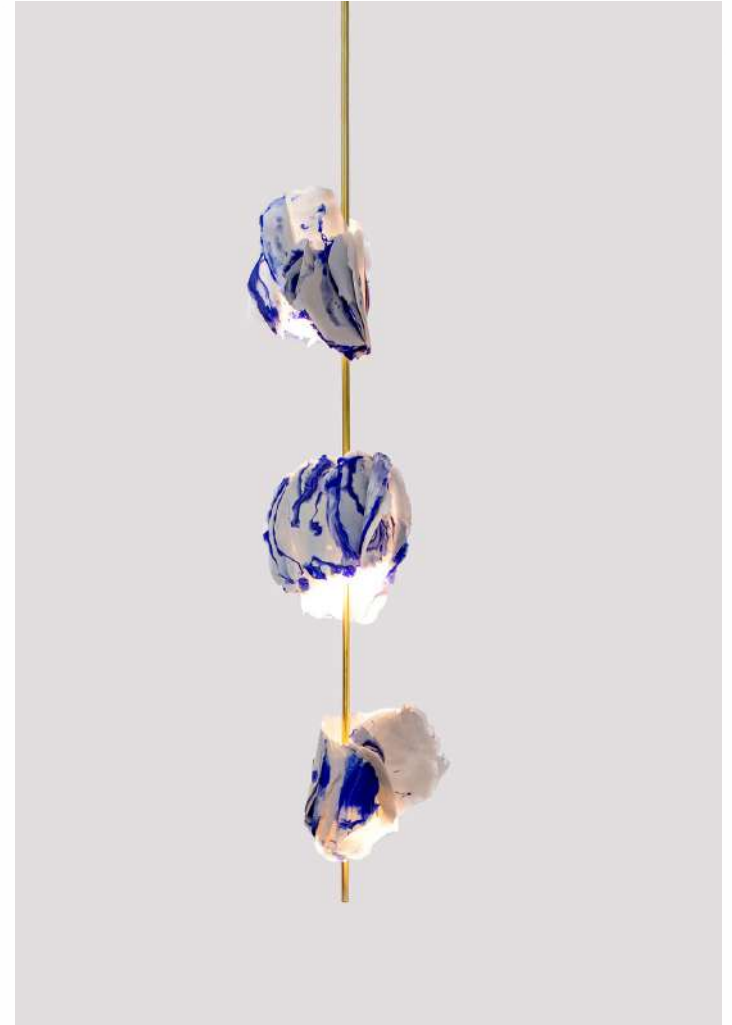


Fungia Stem Mount

35/XL - Trio, 190



Fungia Trio Stem Mount handmade in Soft Stone in France - UL Listed - MU Studio

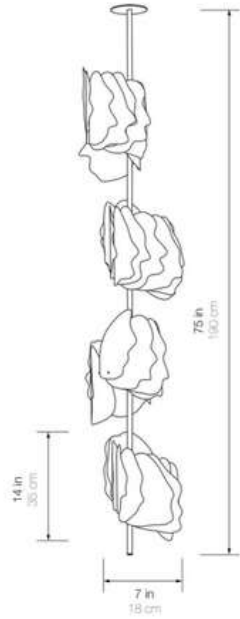


Fungia Stem Mount, 18/M - Trio, 190 - MU Studio

Fungia Trio Stem Mount handmade in Soft Stone in France - UL Listed - MU Studio

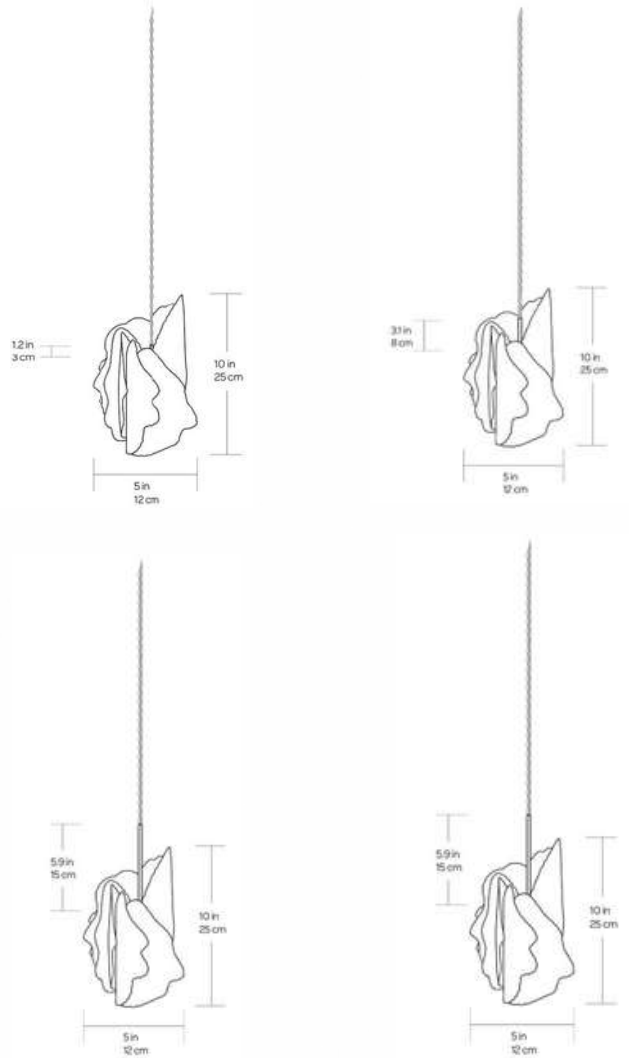
Fungia Stem Mount

18/M - Quartet, 190



Fungia Stem Mount, 18/M - Quartet, 190 - MU Studio

Fungia Hanging



Fungia Hanging handmade in Soft Stone in France - UL Listed - MU Studio

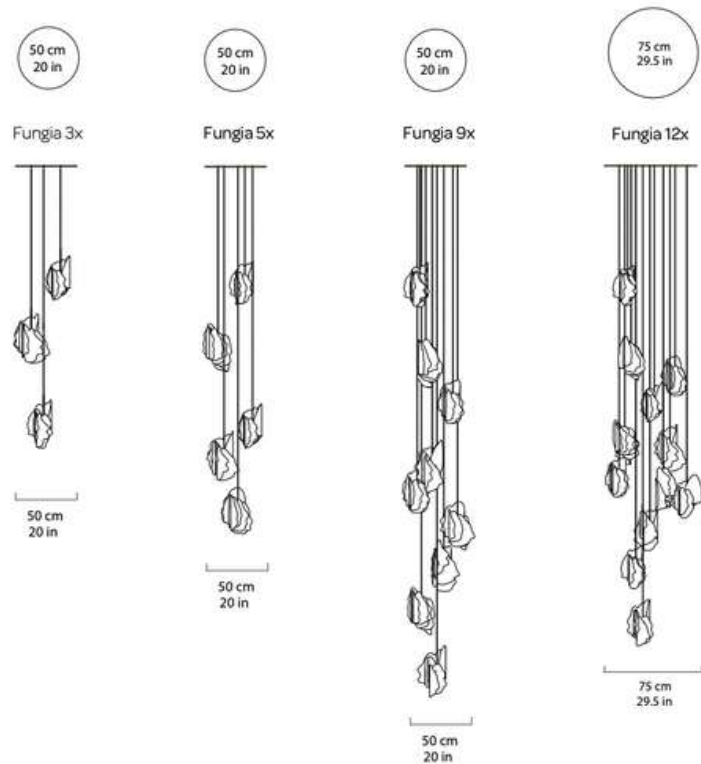


Fungia Hanging - MU Studio

Fungia Hanging handmade in Soft Stone in France - UL Listed - MU Studio

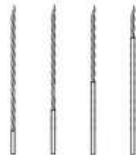
FUNGIA HANGING GROUPING

Options rond canopy



NOTE:

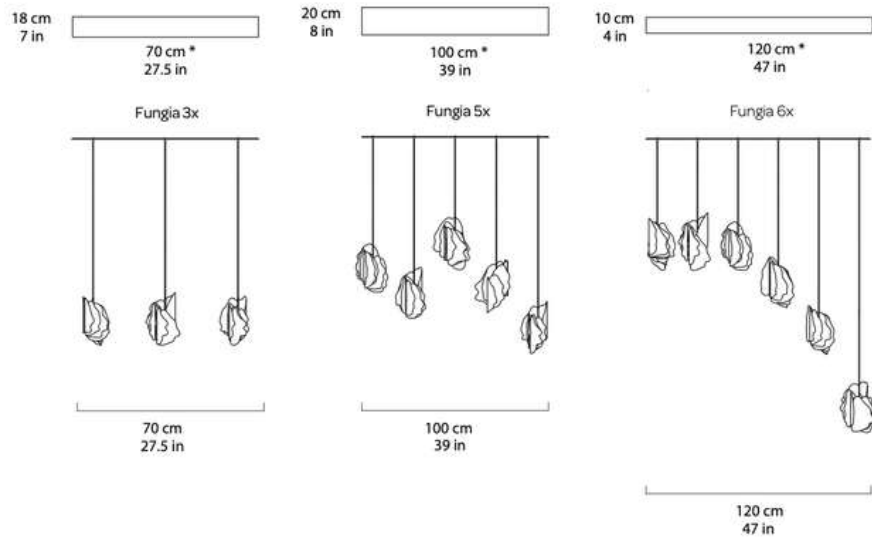
Grouping comes with a mix of different
 Metal Extension lengths:
 1.2in/3cm, 3.1in/8cm, 5.9in/15cm & 8.6in/22cm



Fungia Cascading - MU Studio

FUNGIA HANGING GROUPING

Options line canopy

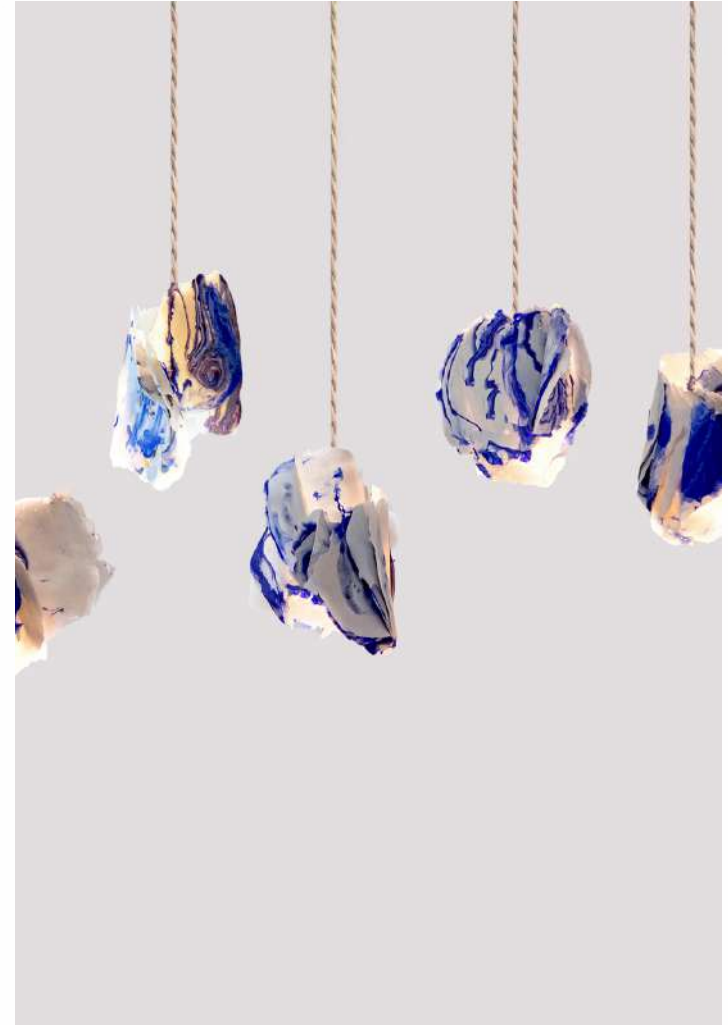


NOTE:

Grouping comes with a mix of different
 Metal Extension lengths:
 1.2in/3cm, 3.1in/8cm, 5.9in/15cm & 8.6in/22cm



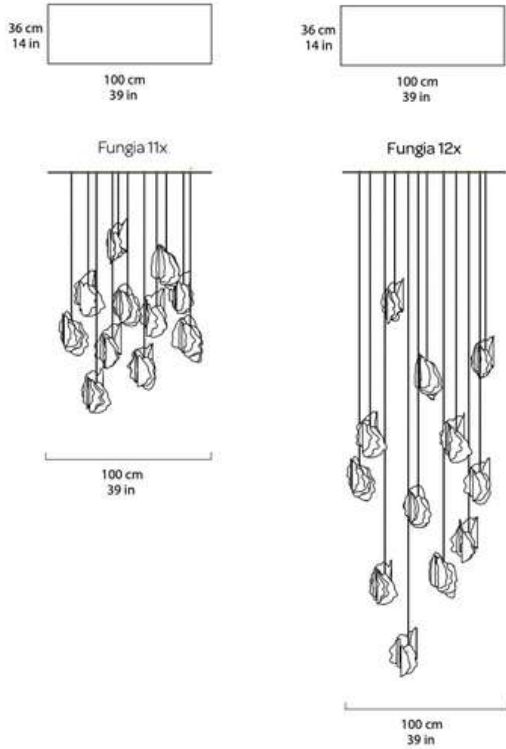
*For a custom lenght of the canopy please contact us



Fungia Hanging Grouping - MU Studio

FUNGIA HANGING GROUPING

Options rectangle canopy



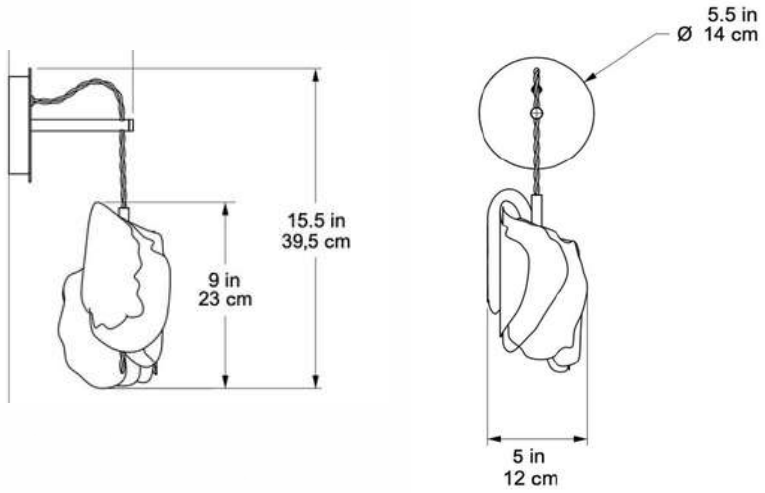
NOTE:

Grouping comes with a mix of different Metal Extension lengths:
 1.2in/3cm, 3.1in/8cm, 5.9in/15cm & 8.6in/22cm



Fungia Hanging Grouping - MU Studio

Fungia Wall Sconce



Fungia Wall Sconce handmade in Soft Stone in France - UL Listed - MU Studio



Fungia Wall Sconce, T12 - MU Studio

Fungia Wall Sconce handmade in Soft Stone in France - UL Listed - MU Studio

FUNGIA FINISH



ECLIPSE



JUPITER



MOON



NEPTUNE



URANUS

MU Studio Fungia Finish Gallery



A black and white photograph of a hand holding a single sheet of paper, with a stack of many more sheets below it. The background is blurred, showing some light spots. The text 'CELINE WRIGHT' is centered over the image, underlined.

CELINE WRIGHT

Washi Paper Light Fixture Collections



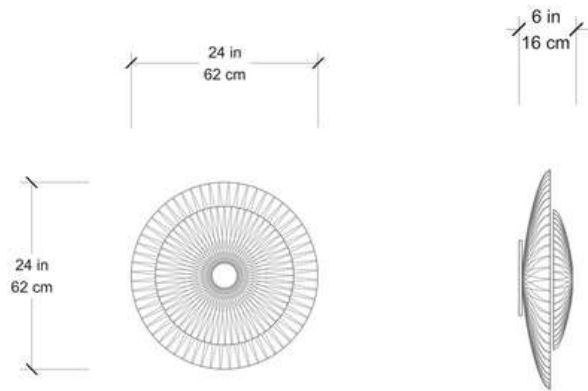
Céline Wright

Collection DIVA

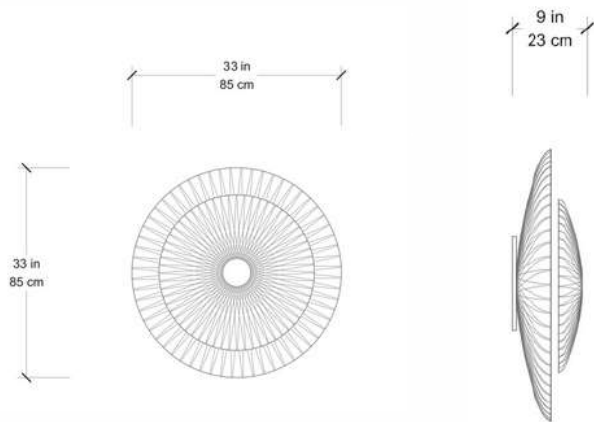
Diva Collection, is a complete range handmade in Washi Paper in France by Céline Wright. The collection includes a large selection of options, from sizes and model to accommodate your space.

Each light is handcrafted and remains a unique model.

Diva Flushmount -- 62/M

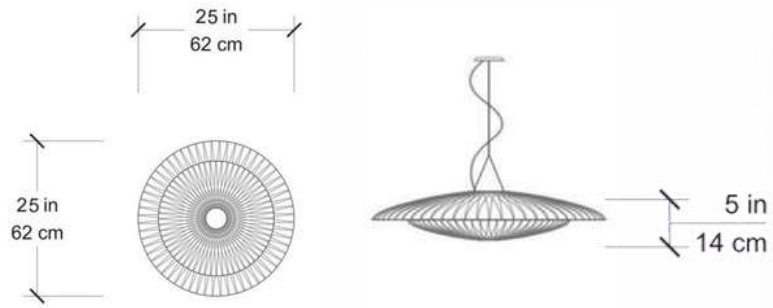


Diva Flushmount -- 85/L

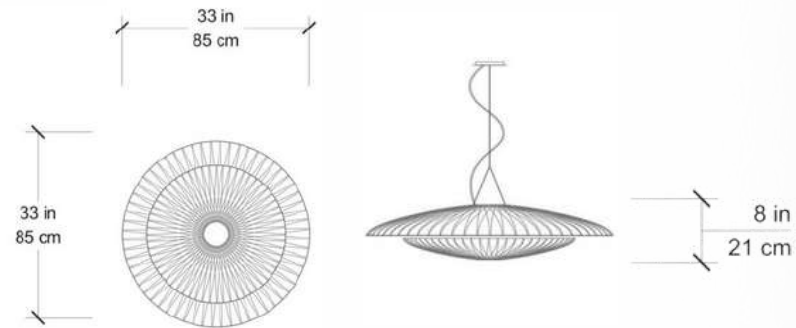


DIVA Flushmount - 62/M - Céline Wright

Diva Hanging -- 62/M

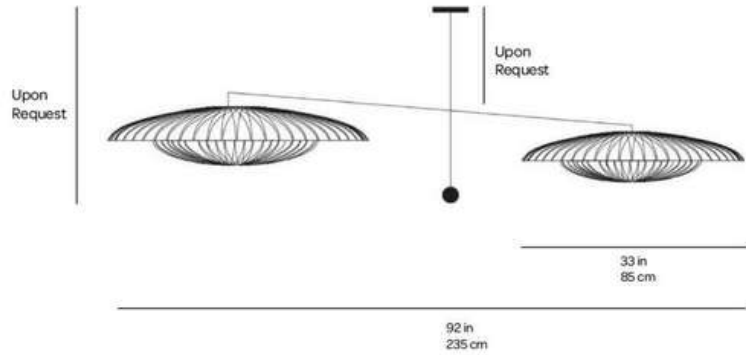


Diva Hanging -- 85/L

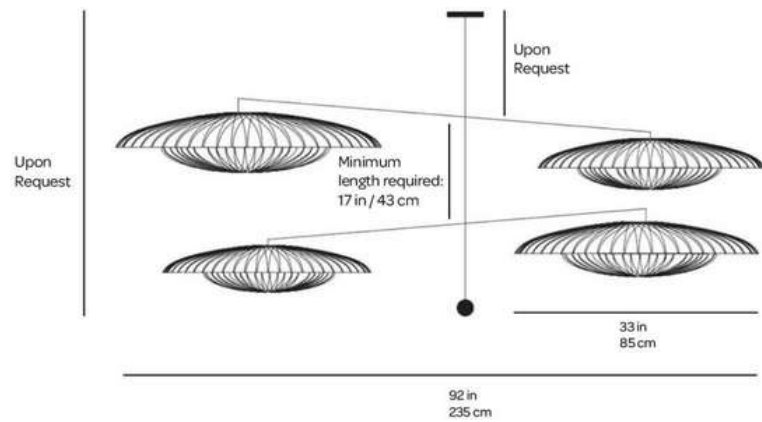


DIVA Hanging - 62/M - Céline Wright

Diva Mobile Hanging Large -- DUO

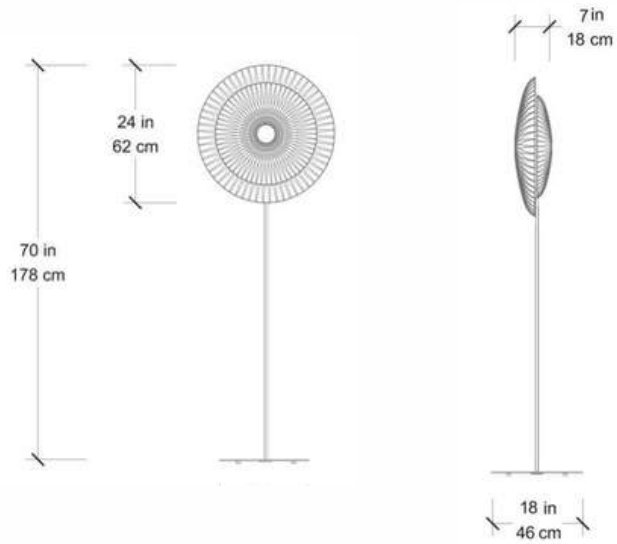


Diva Mobile Hanging Large -- QUAD

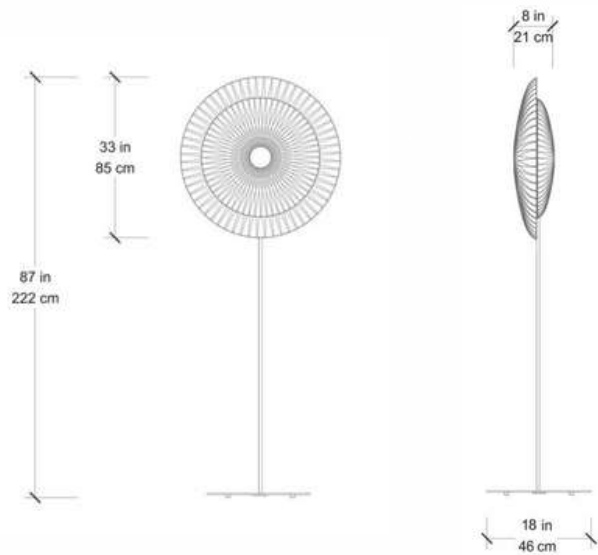


DIVA Mobile Hanging Large - QUAD - Céline Wright

Diva Floor -- 62/M



Diva Floor -- 85/L



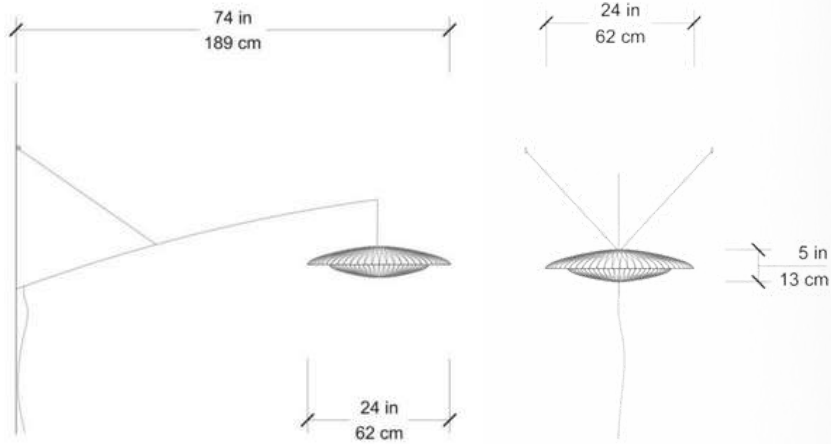
DIVA Floor handmade in Washi Paper in France - UL Listed - Céline Wright



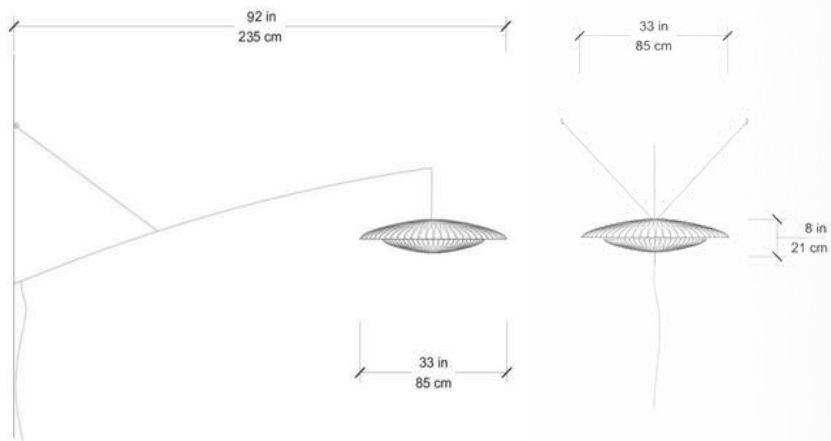
DIVA Floor - 85/L - Céline Wright

DIVA Floor handmade in Washi Paper in France - UL Listed - Céline Wright

Diva Perche Wall -- 62/M

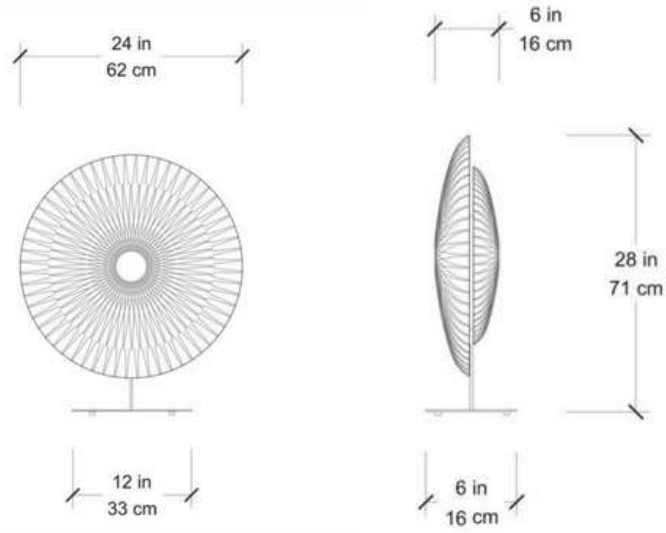


Diva Perche Wall -- 85/L



DIVA Perche Wall - 62/M - Céline Wright

Diva Table -- 62/M

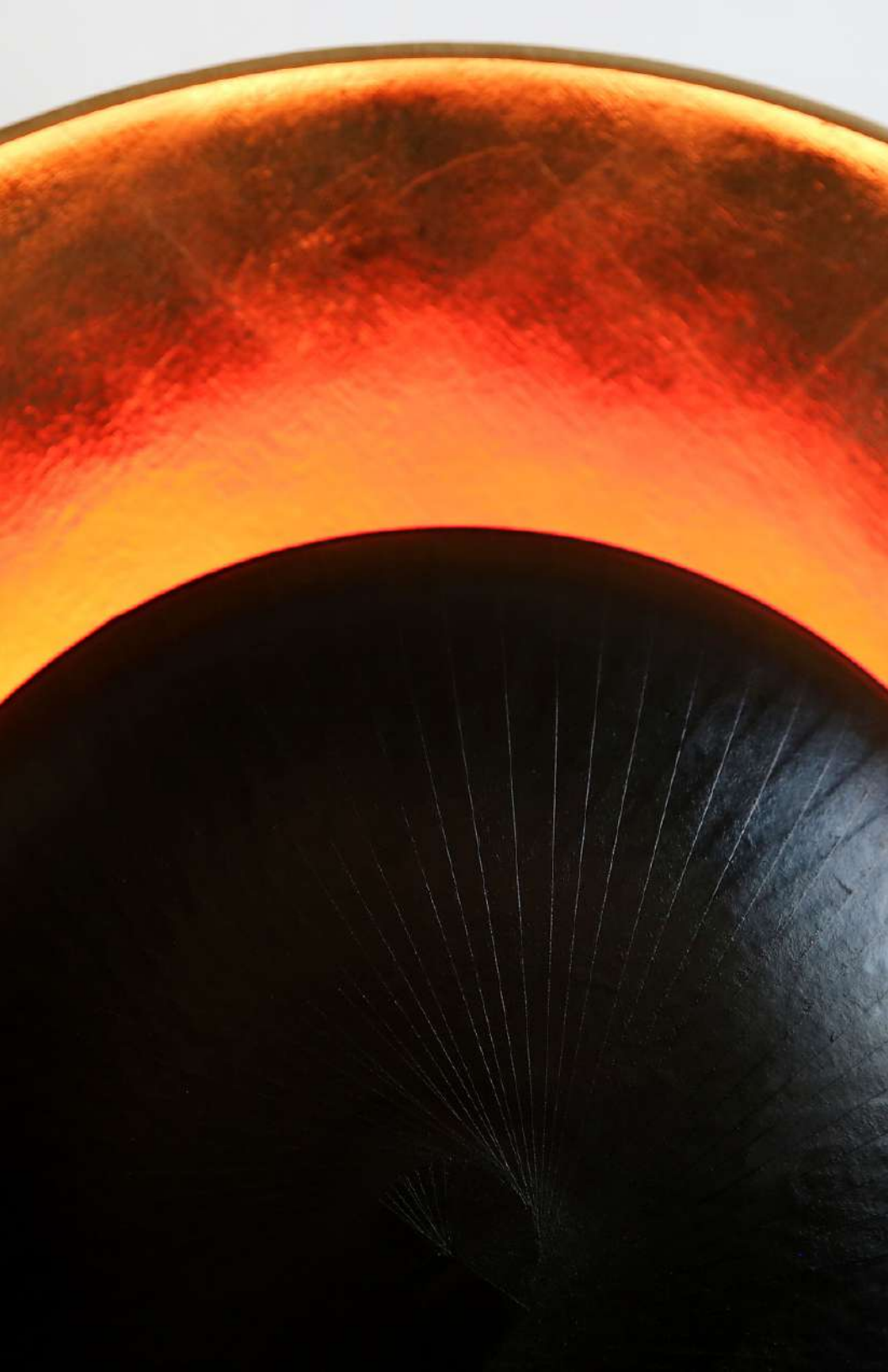


DIVA Table handmade in Washi Paper in France - UL Listed - Céline Wright



DIVA Table - 62/M - Céline Wright

DIVA Table handmade in Washi Paper in France - UL Listed - Céline Wright



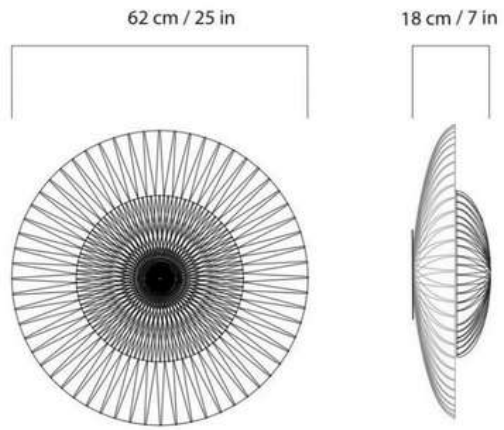
Céline Wright

Collection ECLIPSE

Eclipse Collection evokes the warm glow of a sunset. Handmade in France of Japanese washi paper and tarlatan. The interior of the large shade is gilded with gold foil while the exterior of the small shade is tinted with black ink. An unexpected red interior of the small shade casts the unexpected warm glow onto gold.

Each light is handcrafted and remains a unique model.

Eclipse Flushmount



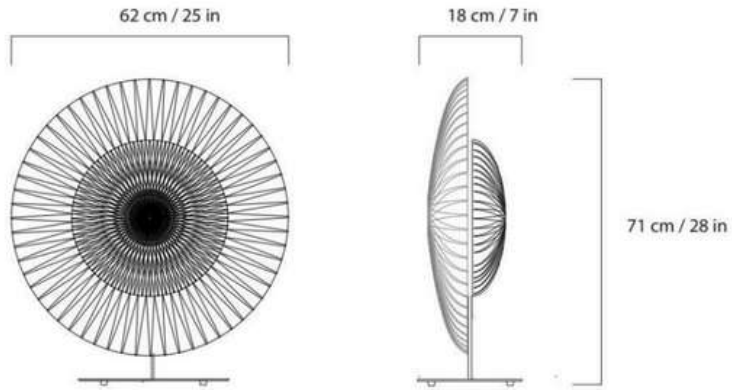
Eclipse Flushmount handmade in Washi Paper in France - UL Listed - Céline Wright



Eclipse Flushmount - Céline Wright

Eclipse Flushmount handmade in Washi Paper in France - UL Listed - Céline Wright

Eclipse Table



Eclipse Table - Céline Wright



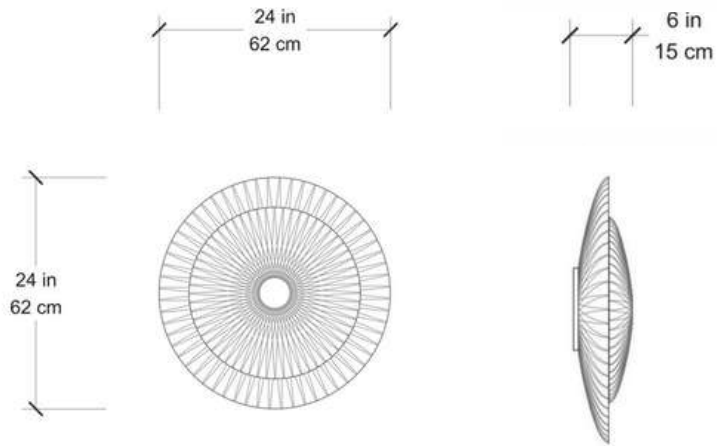
Céline Wright

Collection PALANQUIN

Palanquin Collection, is a complete range handmade in Washi Paper in France by Céline Wright. The collection includes a large selection of options, from sizes and model to accommodate your space.

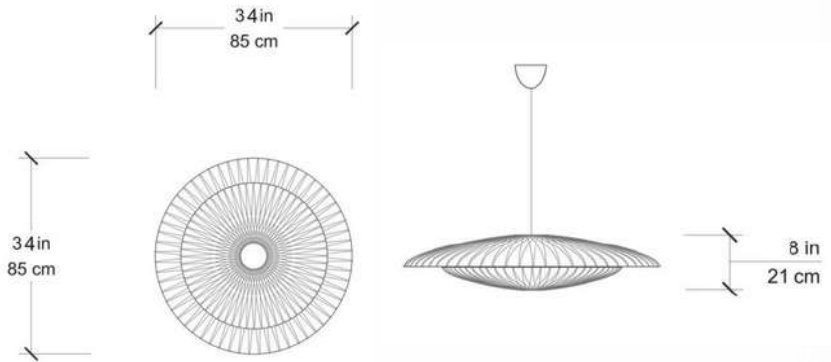
Each light is handcrafted and remains a unique model.

Palanquin Flushmount -- 62/M



Palanquin Flushmount - 62/M - Céline Wright

Diva Hanging -- 62/M



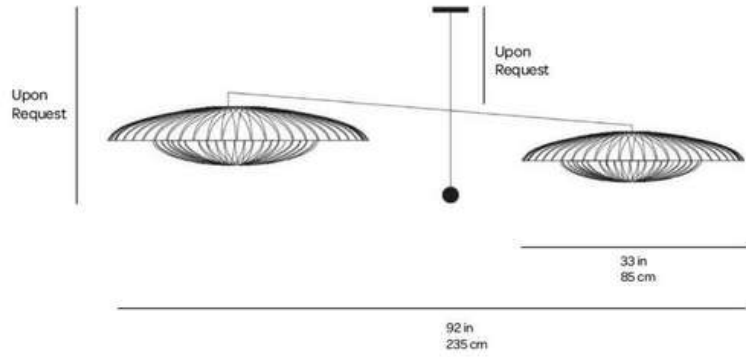
Palanquin Hanging handmade in Washi Paper in France - UL Listed - Céline Wright



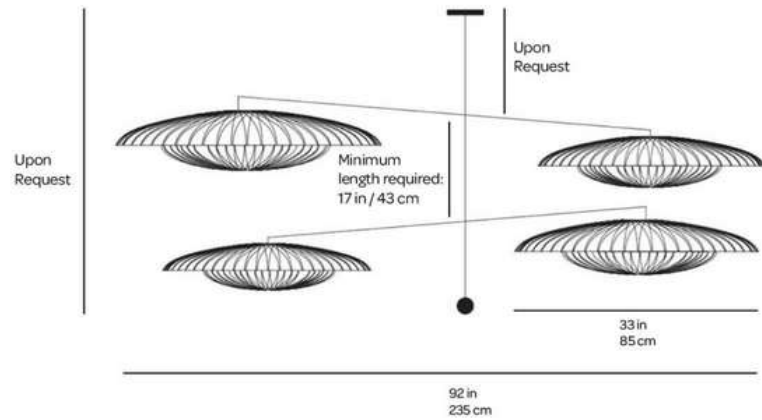
Palanquin Hanging - 62/M - Céline Wright

Palanquin Hanging handmade in Washi Paper in France - UL Listed - Céline Wright

Palanquin Mobile Hanging Large -- DUO

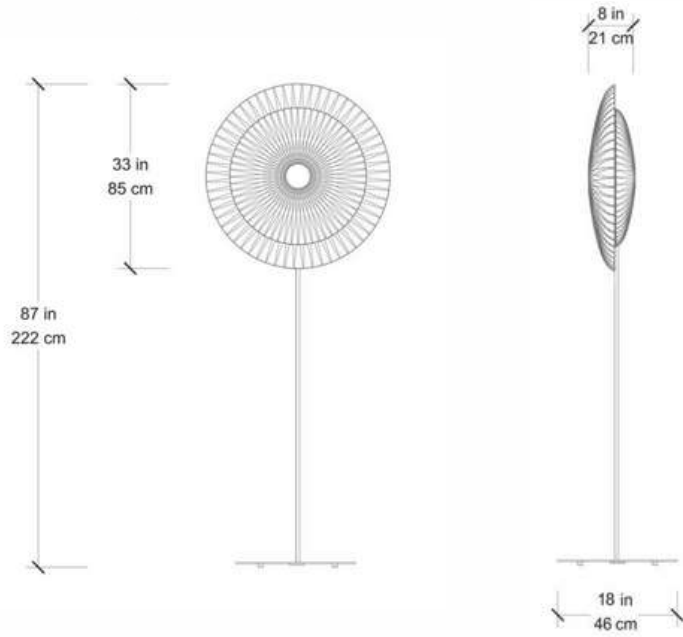


Palanquin Mobile Hanging Large -- QUAD



Palanquin Mobile Hanging Large - QUAD - Céline Wright

Palanquin Floor -- 85/L



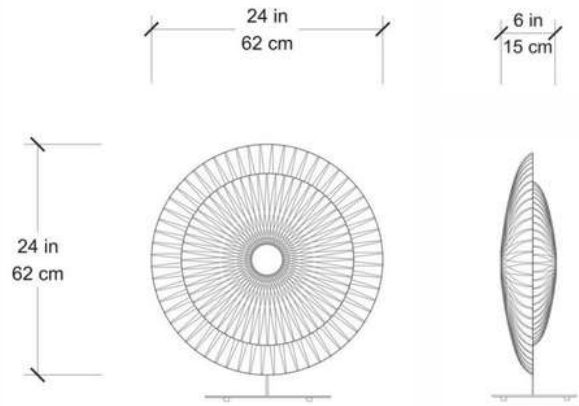
Palanquin Floor handmade in Washi Paper in France - UL Listed - Céline Wright



Palanquin Floor - 85/L - Céline Wright

Palanquin Floor handmade in Washi Paper in France - UL Listed - Céline Wright

Palanquin Table -- 62/M



Palanquin Table handmade in Washi Paper in France - UL Listed - Céline Wright



Palanquin Table - 62/M - Céline Wright

Palanquin Table handmade in Washi Paper in France - UL Listed - Céline Wright



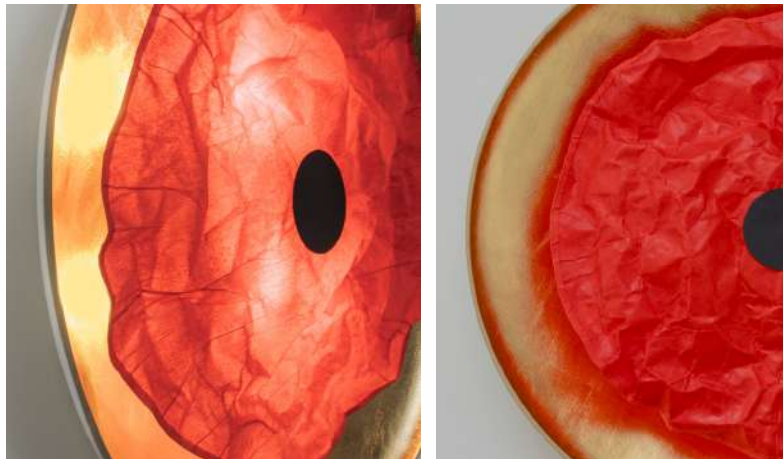
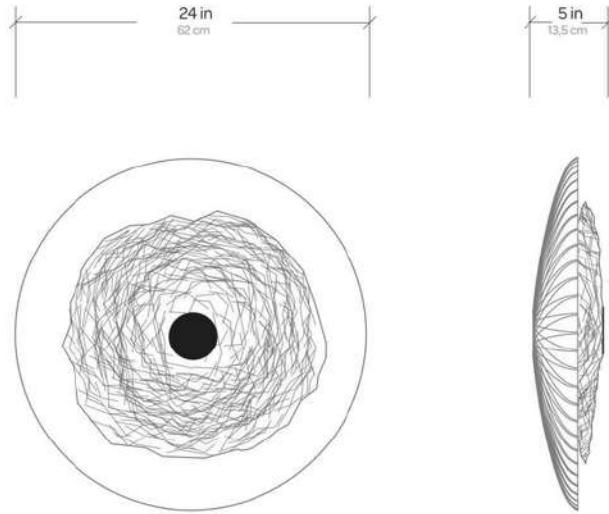
Céline Wright

Collection ECLAIRCIE

The Eclaircie Collection is solar and bewitching. A golden dome with copper leaf surmounted by a weightless red or white cloud, such is the minimalist layout of this luminaire. From this sober design emerges a solar aura that gives all its grandeur to the light. Eclaircie envelops your interior in a warm light.

Each light is handcrafted and remains a unique model.

Eclaircie Flushmount -- 62/M

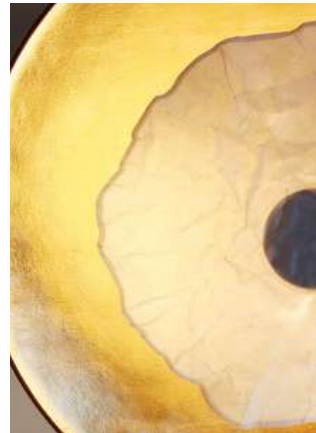
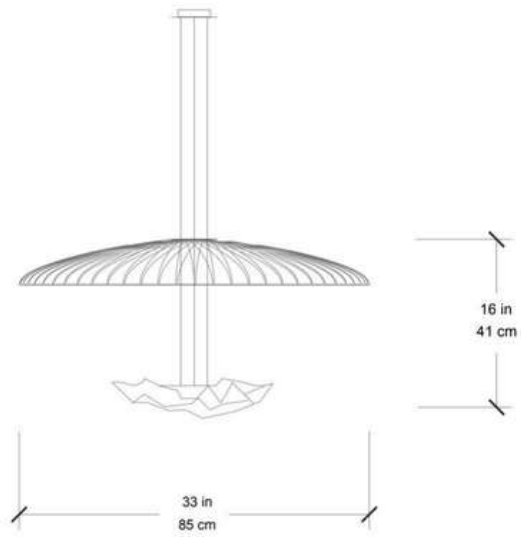


The paper cloud is available in red or white paper.



Eclaircie Flushmount - 62/M - Céline Wright

Eclaircie Hanging



The paper cloud is available in red or white paper.



Eclaircie Hanging - Céline Wright



Céline Wright

Collection

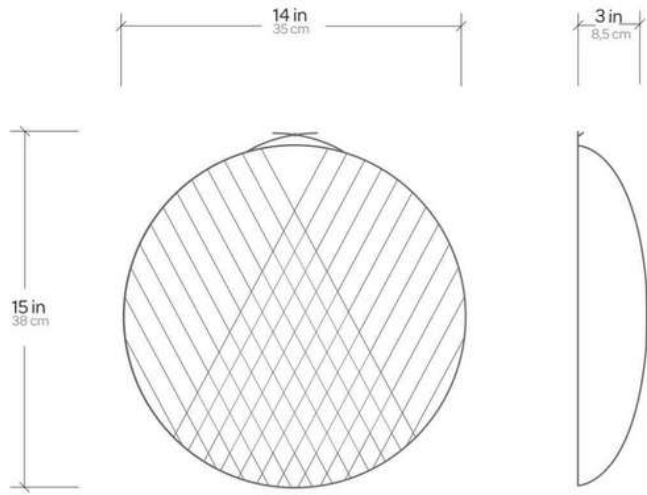
PLEINE LUNE

Faithful to the Japanese inspirations Celine Wright, the flushmount is mainly made of washi paper. On the curved lampshade surrounded by rattan, we can see a braiding appear, which is more revealed once the light is on. Just like the reflections of the moon, Pleine Lune brings a comforting clarity that envelops the room where it is located.

Each light is handcrafted and remains a unique model.

PLEINE LUNE Collection - Wall Mount.

Pleine Lune



Pleine Lune Wall Mount handmade in Washi Paper in France - UL Listed - Céline Wright



Pleine Lune - Céline Wright

Pleine Lune Wall Mount handmade in Washi Paper in France - UL Listed - Céline Wright



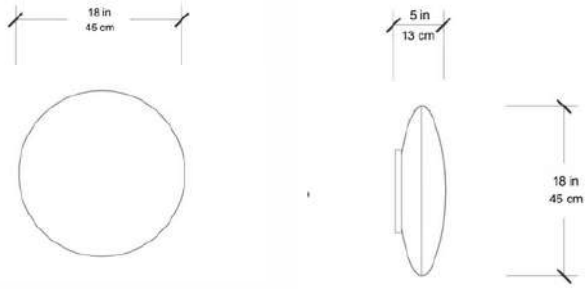
Céline Wright

Collection ZEN

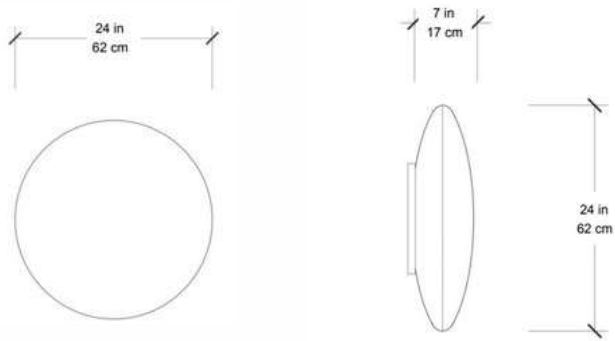
Zen Collection, is a complete range handmade of more randomly layered Japanese washi paper in France by Céline Wright. The collection includes a large selection of options, from sizes and model to accommodate your space.

Each light is handcrafted and remains a unique model.

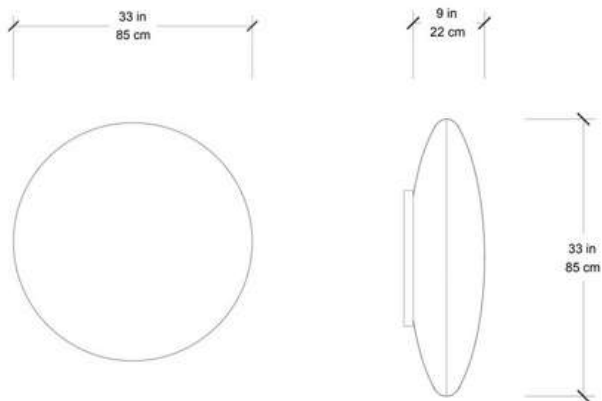
Zen Flushmount -- 45/S



Zen Flushmount -- 62/M



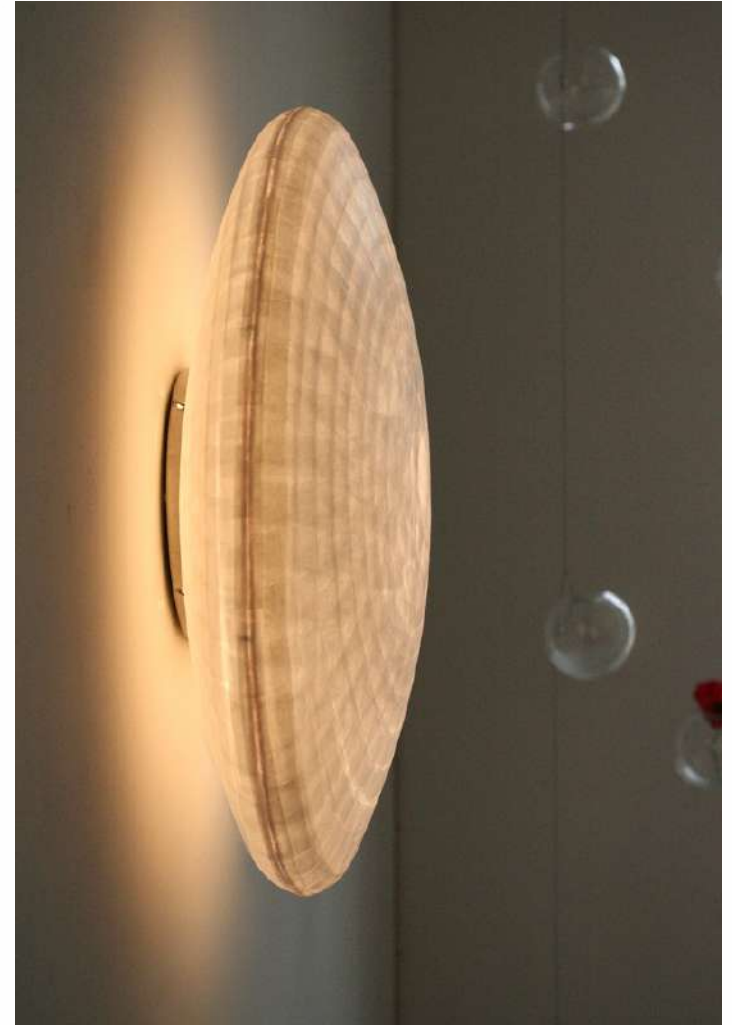
Zen Flushmount -- 85/L



ZEN Flushmount handmade in Washi Paper in France - UL Listed - Céline Wright



2024

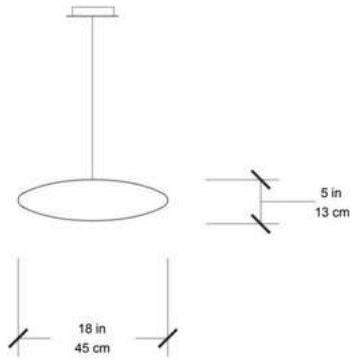


ZEN Flushmount - 62/M - Céline Wright

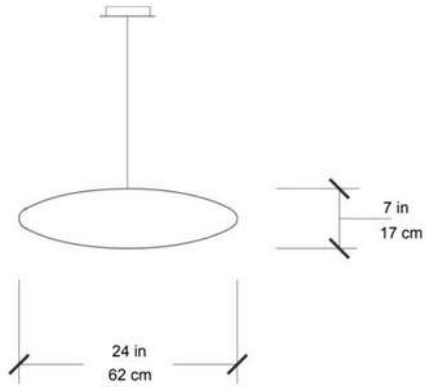
ZEN Flushmount handmade in Washi Paper in France - UL Listed - Céline Wright

p.51

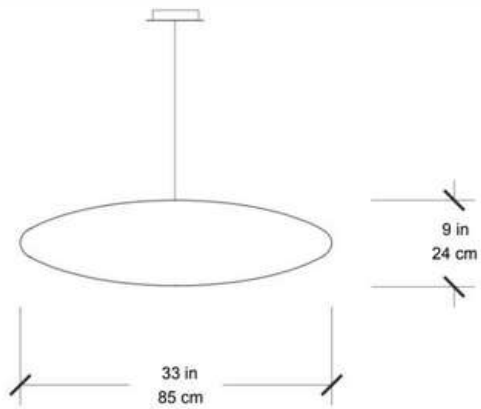
Zen Hanging -- 45/S



Zen Hanging -- 62/M

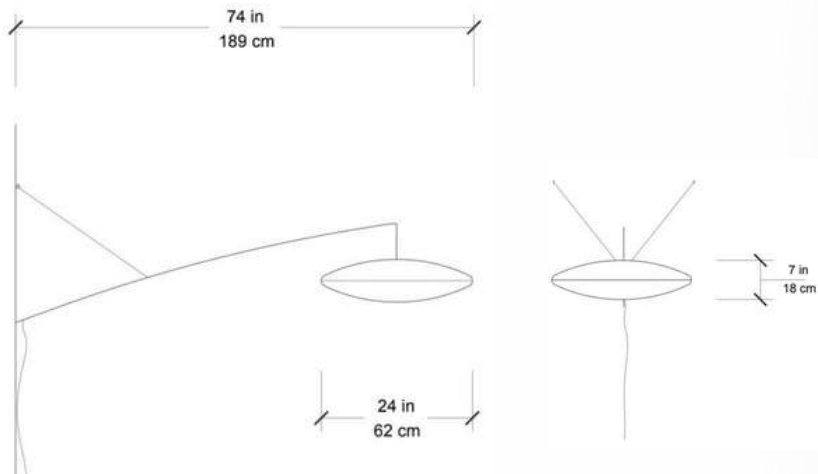


Zen Hanging -- 85/L

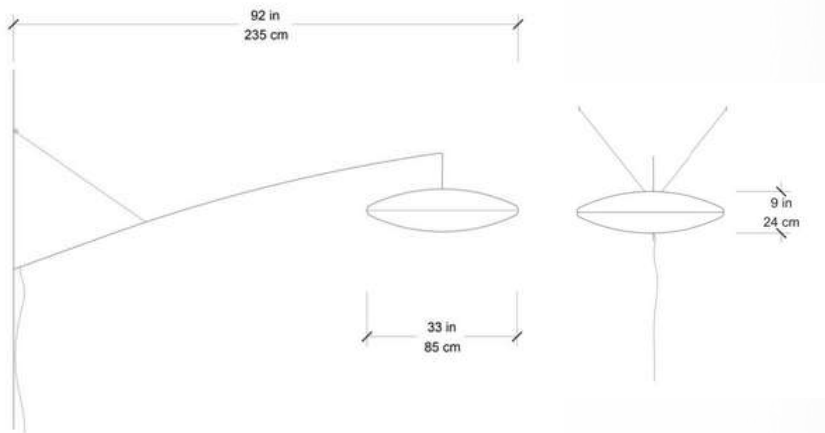


ZEN Hanging - 62/M - Céline Wright

Zen Perche Wall -- 62/M



Zen Perche Wall -- 85/L



ZEN Perche Wall - 62/M - Céline Wright



Céline Wright

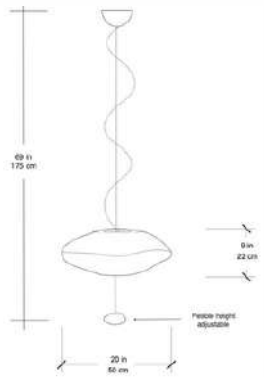
Collection COCON

Cocon Collection, handmade in Washi Paper
in France by Céline Wright.

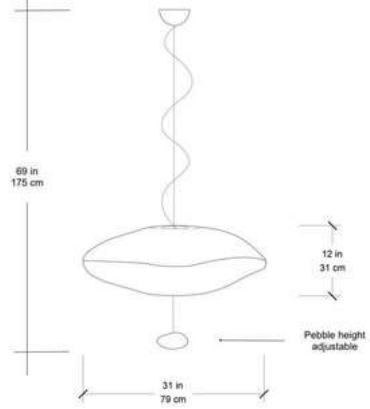
The collection includes a selection of
options, from sizes and model
to accommodate your space.

*Each light is handcrafted and
remains a unique model.*

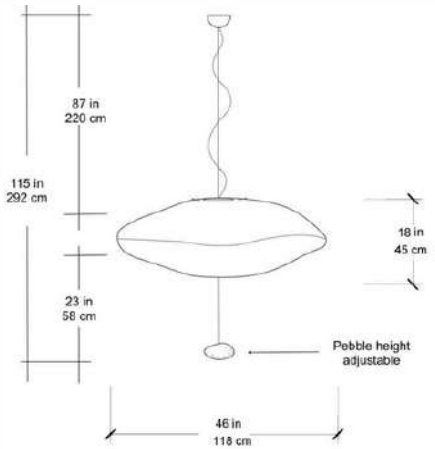
Nuage Hanging Small



Nuage Hanging Medium



Nuage Hanging Large



Nuage Hanging handmade in Washi Paper in France - UL Listed - Céline Wright



2024

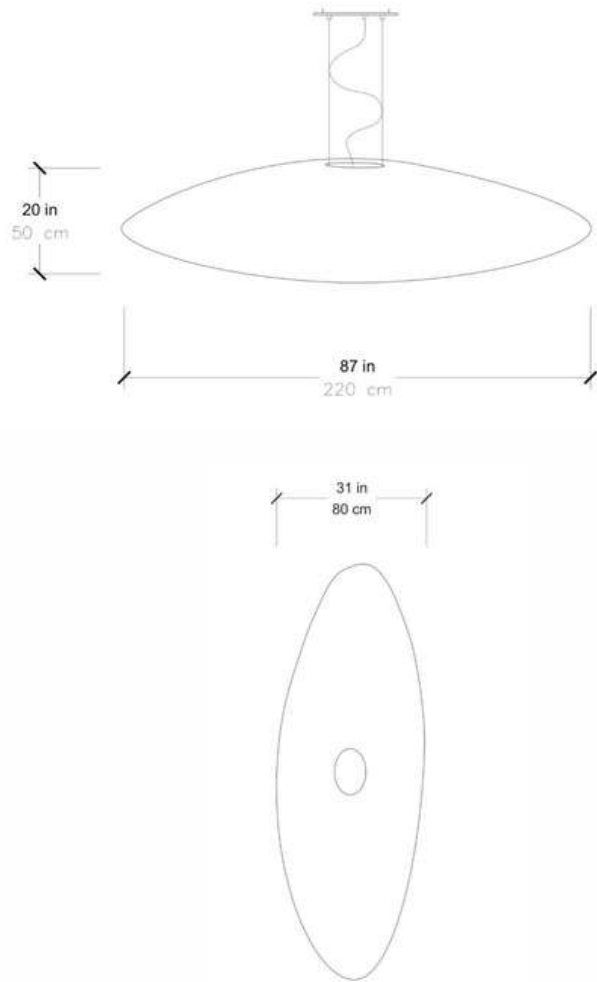


Nuage Hanging Small, Medium and Large- Céline Wright

Nuage Hanging handmade in Washi Paper in France - UL Listed - Céline Wright

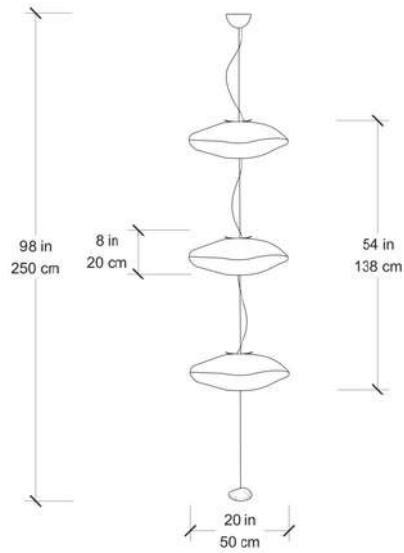
p.55

Cirrus

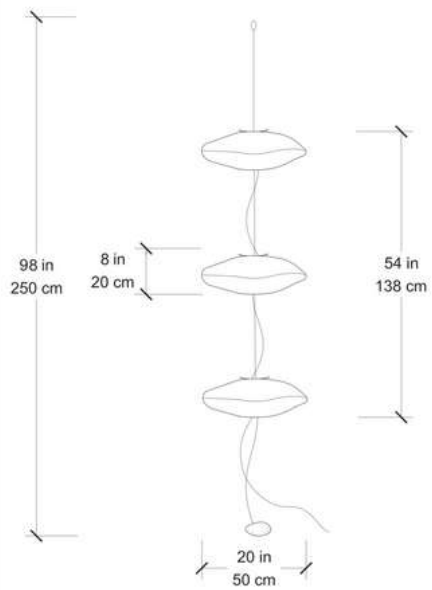


Cirrus - Céline Wright

Nuage Guirlande Hanging Hard Wired

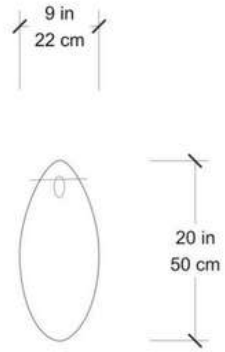


Nuage Guirlande Hanging Soft Wired



Nuage Guirlande - Céline Wright

Nid



Nid - Céline Wright



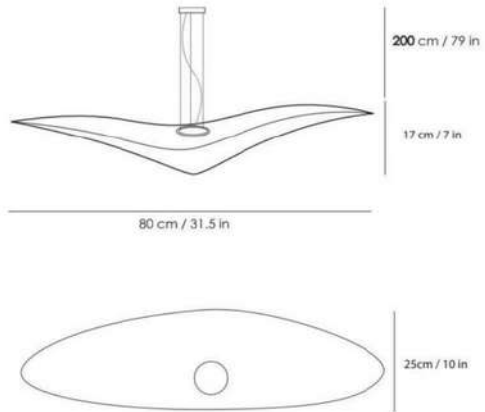
Céline Wright

Collection OISEAU

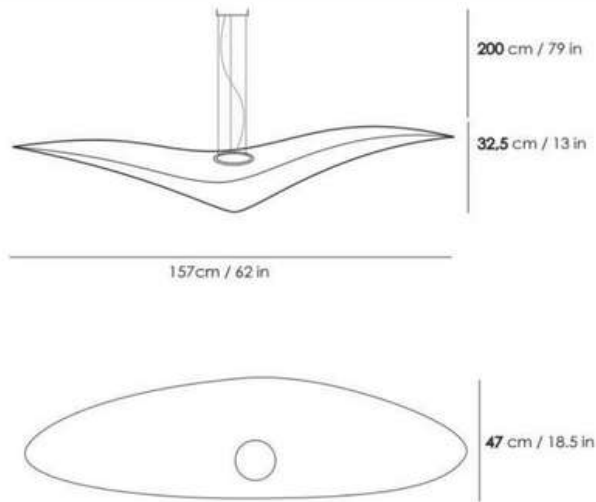
Oiseau Collection, handmade in Washi Paper
in France by Céline Wright.
The collection includes a selection of
options, from sizes and model
to accommodate your space.

*Each light is handcrafted and
remains a unique model.*

Oiseau Hanging -- Petite

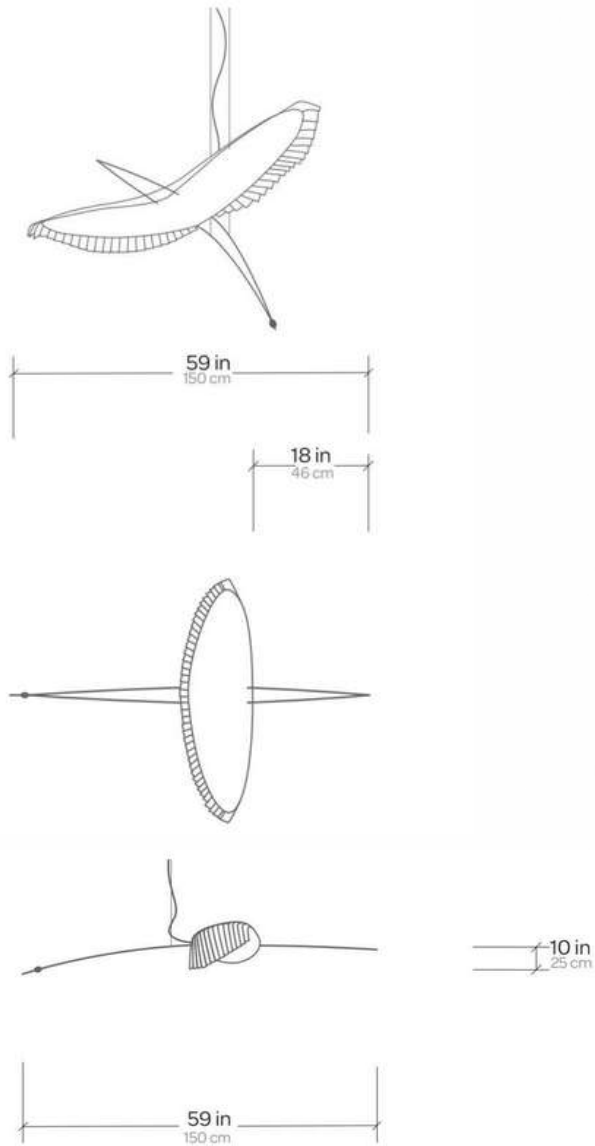


Oiseau Hanging-- Grand



Oiseau Hanging (petite) - Céline Wright

Tsuru Mobile Hanging



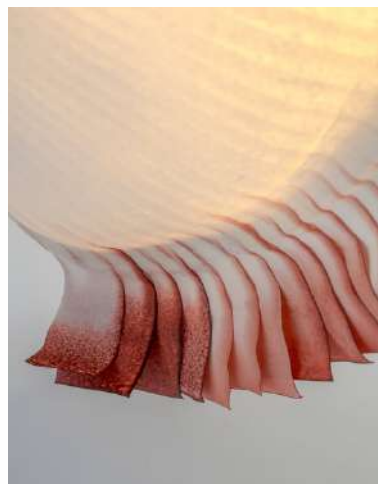
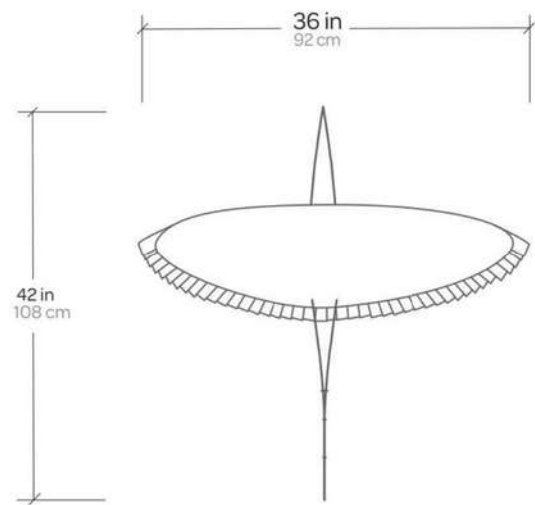
Tsuru Mobile Hanging handmade in Washi Paper in France - UL Listed - Céline Wright



Tsuru Mobile Hanging - Céline Wright

Tsuru Mobile Hanging handmade in Washi Paper in France - UL Listed - Céline Wright

Tsuru Flushmount



Tsuru Flushmount handmade in Washi Paper in France - UL Listed - Céline Wright



Tsuru Flushmount - Céline Wright

Tsuru Flushmount handmade in Washi Paper in France - UL Listed - Céline Wright



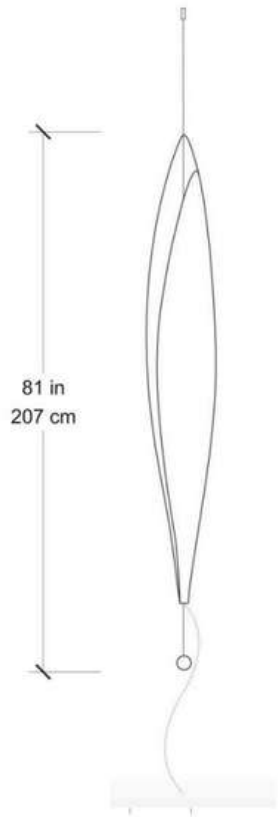
Céline Wright

Collection ENVOL

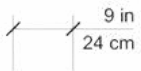
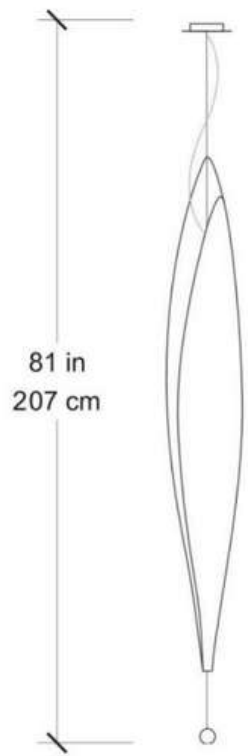
Envol Collection, handmade in Washi Paper is inspired by a heron spreading its wings to take flight, the Envol Collection is an elegant and understated sculptural statement for any space.

Each light is handcrafted and remains a unique model.

Envol Hanging -- Softwired

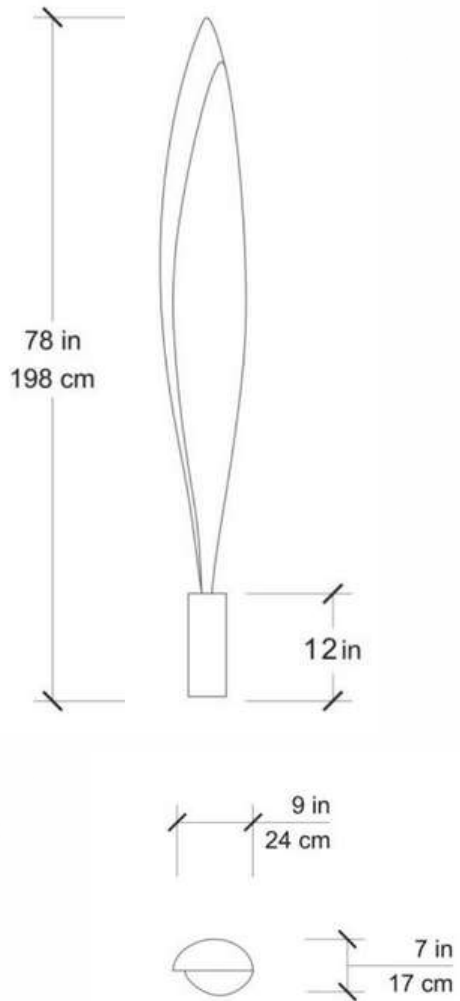


Envol Hanging -- Hardwired

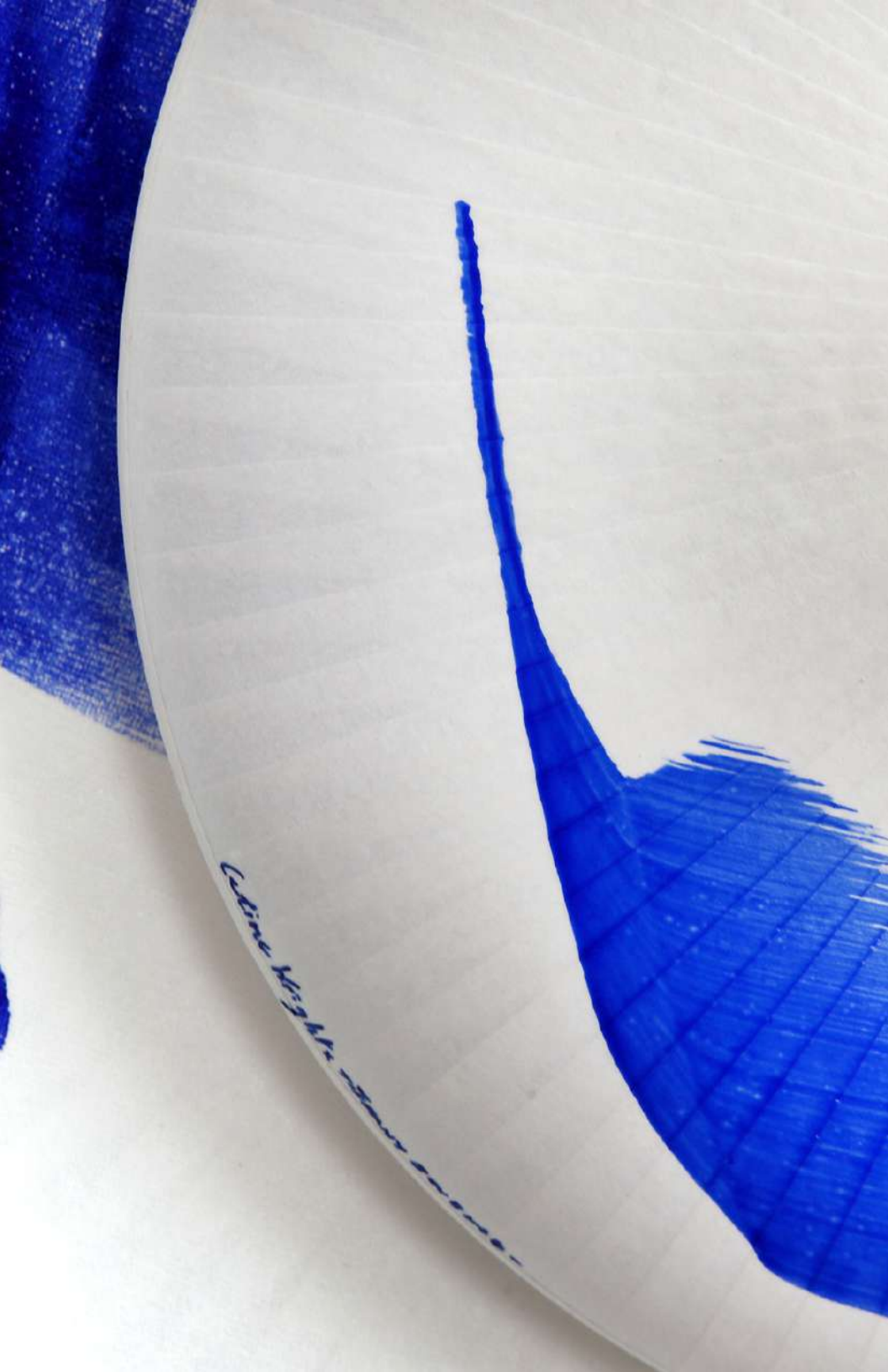


Envol Hanging - Céline Wright

Envol Hanging -- Softwired



Envol Floor - Céline Wright

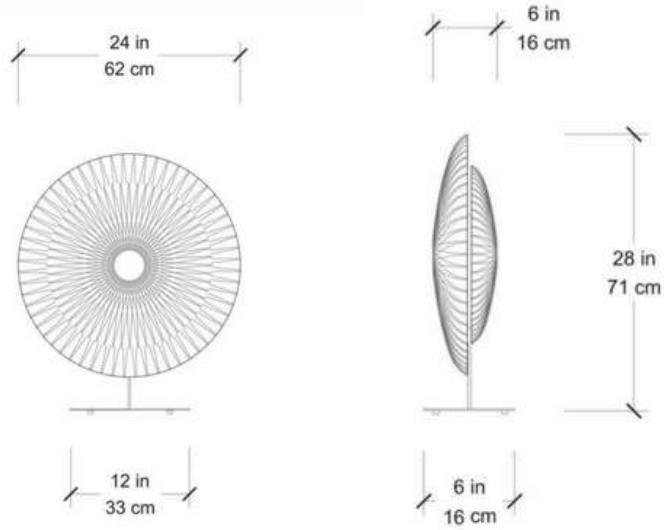


Céline Wright & Tiffany Bouelle

Collection NOZOMI

Nozomi Collection: A series of hand-painted flushmount and table lights made in collaboration between designer Céline Wright and artist Tiffany Bouelle. Joining together their artistic voices and appreciation for original craft, the collaboration transcends both of their work with a unified message about the power of the female voice and the values of a poetic approach to life. The collections' name, "Nozomi", derives meaning from the Japanese word for "hope."

'Marie' Diva Table -- 62/M

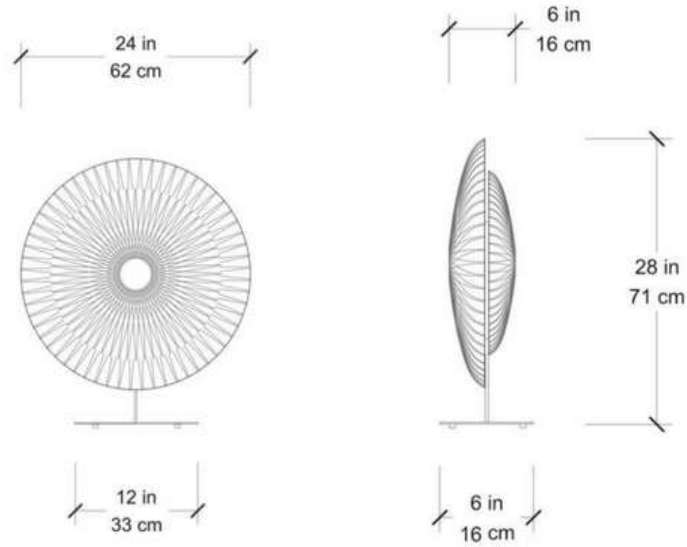


'Marie' Diva Table is a tribute to Marie Laveau, the immortal voodoo witch. The shapes represent a talisman, protecting from ill meaning spirits. Bouelle was interested in expressing the renowned beauty of a woman that is also known as a witch, who shared her gift of the third eye to also bring about hope. She loved the idea of building a community of people and dancing together around Laveau's light.



'Marie' DIVA Table - 62/M - Céline Wright & Tiffany Boule

'Mahalia' Diva Table -- 62/M

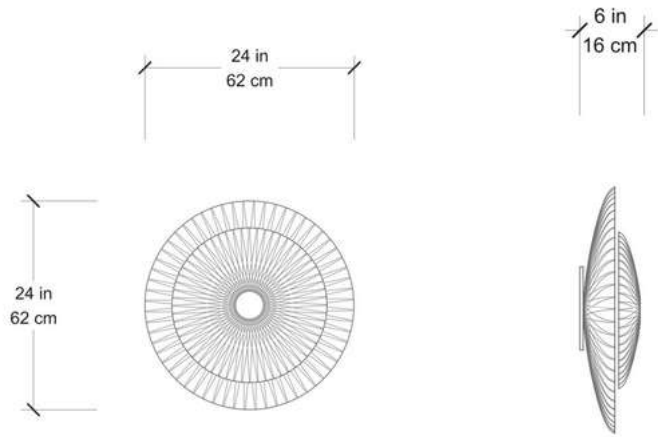


'Mahalia' Diva Table is a reference to Mahalia Jackson, the Queen of Gospel. Her voice roused listeners to rejoice towards the sky. Bouelle depicts this spiritual celebration through a fluid sky with dancing clouds. The artist herself is deeply passionate about soul music, an evolution of gospel.



'Mahalia' DIVA Table - 62/M - Céline Wright & Tiffany Bouelle

'Oretha' Diva Flushmount -- 62/M



'Oretha' Dive Flushmount honors Oretha Castle Haley and the Freedom Riders. The movement of the painting was inspired by the desire for change and evolution, interpreting the phrase "tourner la page", or "to turn a page". Look closely and it is almost a hand gesture waving "next." Bouelle found Haley to be the most inspiring of the three New Orleans women recognized in the Nozomi collection.



'Oretha' DIVA Flushmount - 62/M - Céline Wright & Tiffany Bouelle





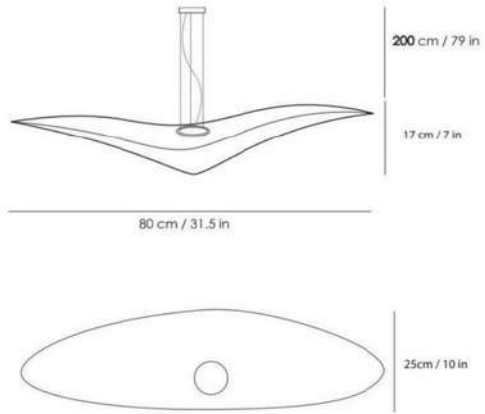
Céline Wright

Collection OISEAU

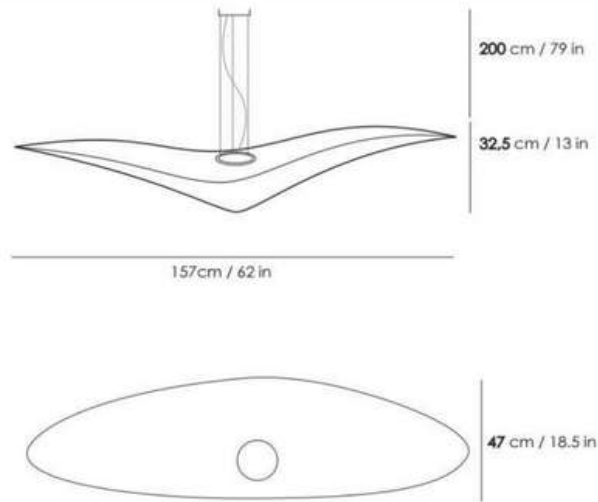
Oiseau Collection, handmade in Washi Paper
in France by Céline Wright.
The collection includes a selection of
options, from sizes and model
to accommodate your space.

*Each light is handcrafted and
remains a unique model.*

Oiseau Hanging -- Petite

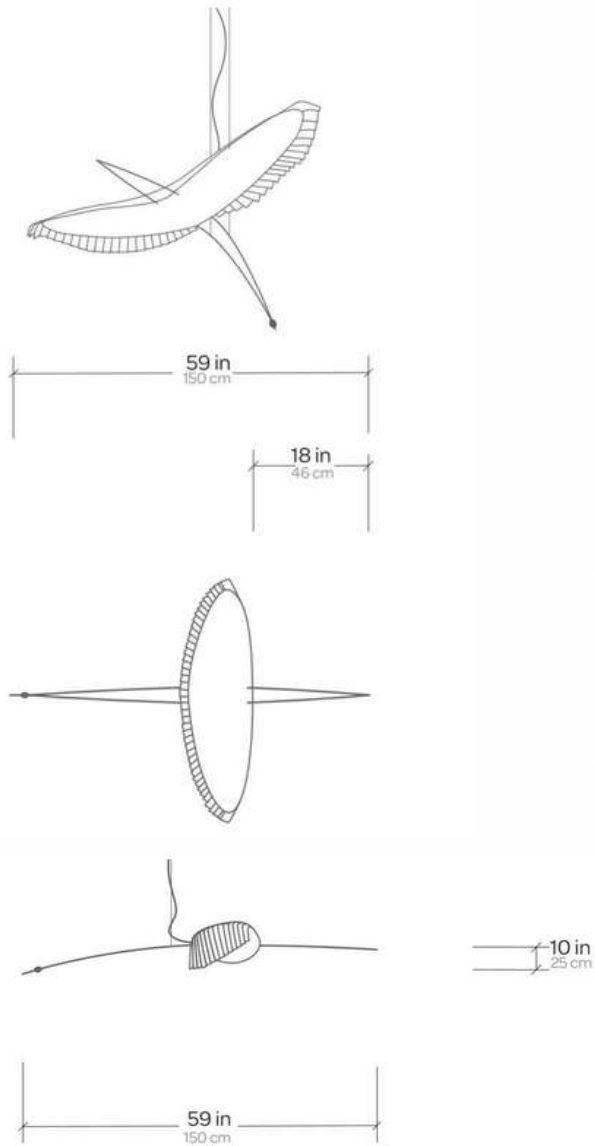


Oiseau Hanging-- Grand



Oiseau Hanging (petite) - Céline Wright

Tsuru Mobile Hanging



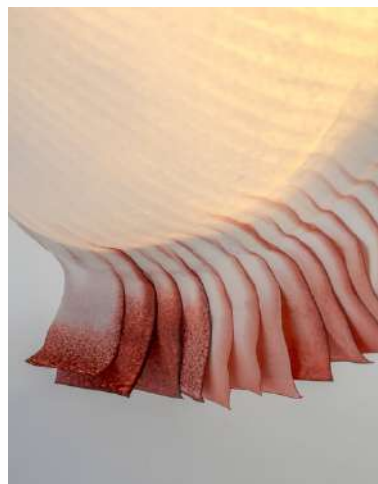
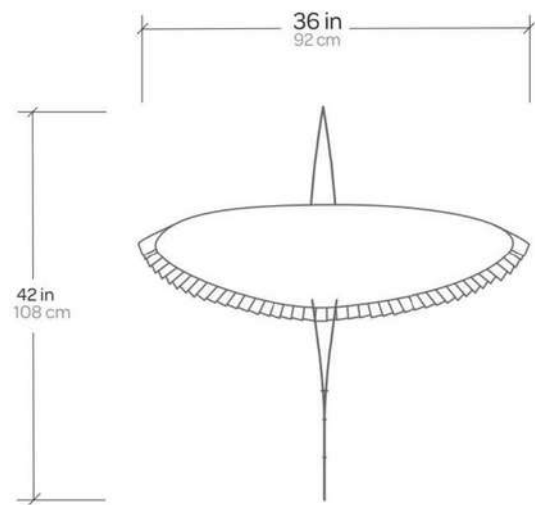
Tsuru Mobile Hanging handmade in Washi Paper in France - UL Listed - Céline Wright



Tsuru Mobile Hanging - Céline Wright

Tsuru Mobile Hanging handmade in Washi Paper in France - UL Listed - Céline Wright

Tsuru Flushmount




Tsuru Flushmount handmade in Washi Paper in France - UL Listed - Céline Wright



Tsuru Flushmount - Céline Wright

Tsuru Flushmount handmade in Washi Paper in France - UL Listed - Céline Wright

The image shows a display of various white ceramic light fixtures and decorative items arranged on white shelves. The items include vases, bowls, and light shades of different shapes and sizes. Two prominent light fixtures are shown: one on the left with a ruffled top and a spherical shade, and one on the right with a ruffled top and a large, dome-shaped shade. The background is filled with more ceramic pieces, creating a cohesive and artistic display.

Crosland + Emmons

Ceramic Light Fixture Collections



Crosland + Emmons

Collection GENESIS

Genesis Collection, is a complete range handmade in Stoneware in the US by Dana Castle. The collection includes a selection of options, to accommodate your space.

Each light is handcrafted and remains a unique model.

Installation Inclusion

UPON REQUEST



Installation Inclusion - CROSLAND + EMMONS

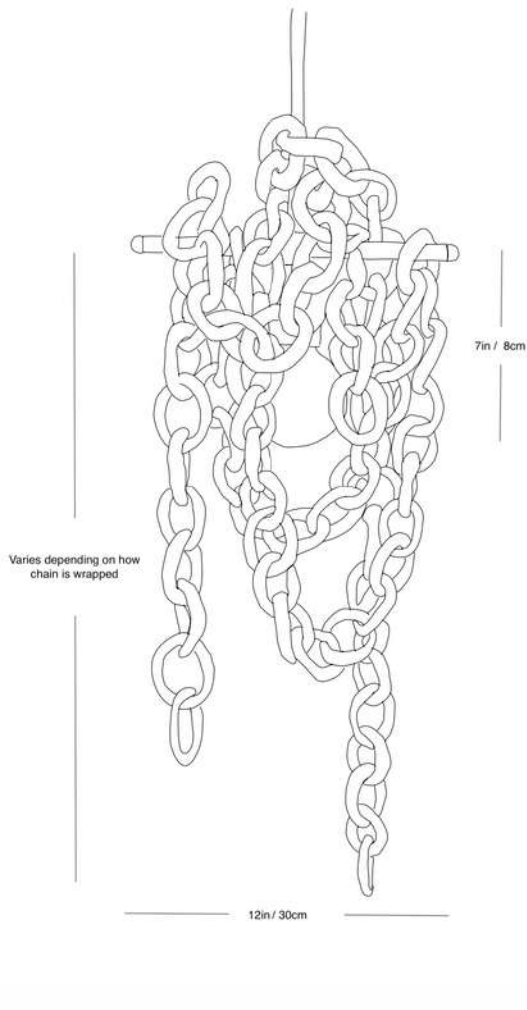
Installation Inclusion hand-sculpted in the US - CROSLAND + EMMONS



Installation Inclusion - CROSLAND + EMMONS

Installation Inclusion hand-sculpted in the US - CROSLAND + EMMONS

Cross Chain



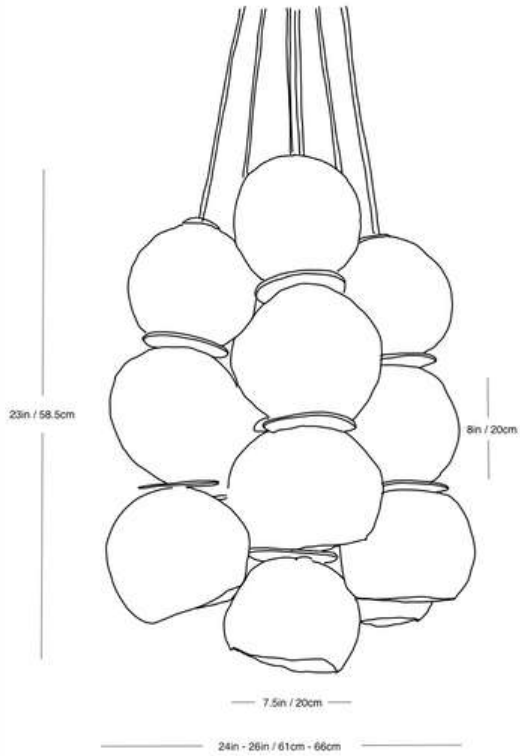
Cross Chain hand-sculpted in the US - CROSLAND + EMMONS



Cross Chain - CROSLAND + EMMONS

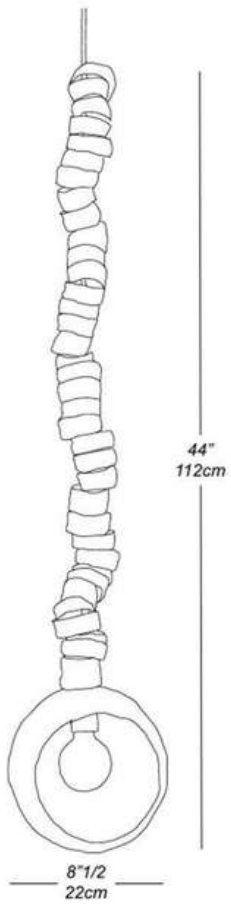
Cross Chain hand-sculpted in the US - CROSLAND + EMMONS

Bubbles



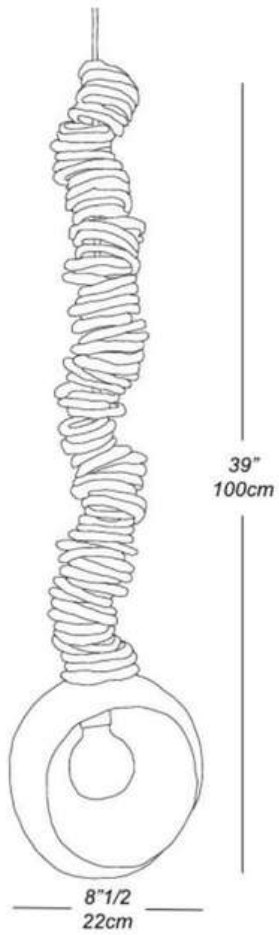
Bubbles - CROSLAND + EMMONS

Tunnel Serendipity Pendant



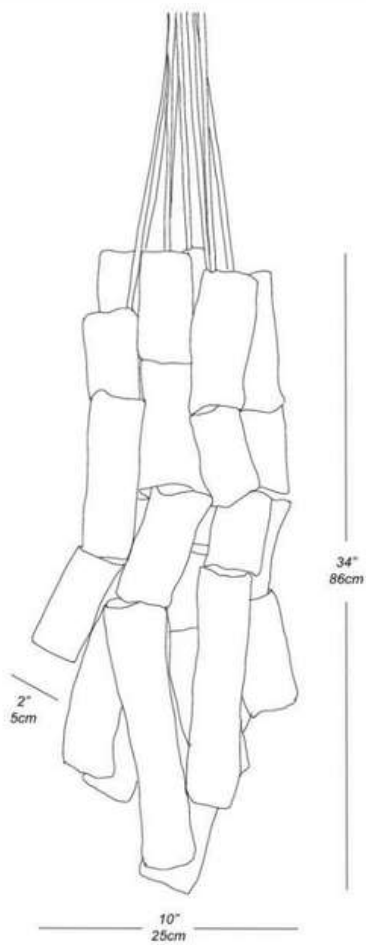
Tunnel Serendipity Pendant - CROSLAND + EMMONS

Coil Serendipity Pendant



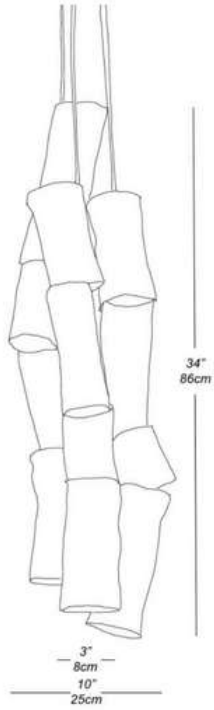
Coil Serendipity Pendant - CROSLAND + EMMONS

Tunnel Multilight Pendant



Tunnel Multilight Pendant - CROSLAND + EMMONS

Channel Multilight Pendant



Channel Multilight Pendant hand-sculpted in the US - CROSLAND + EMMONS

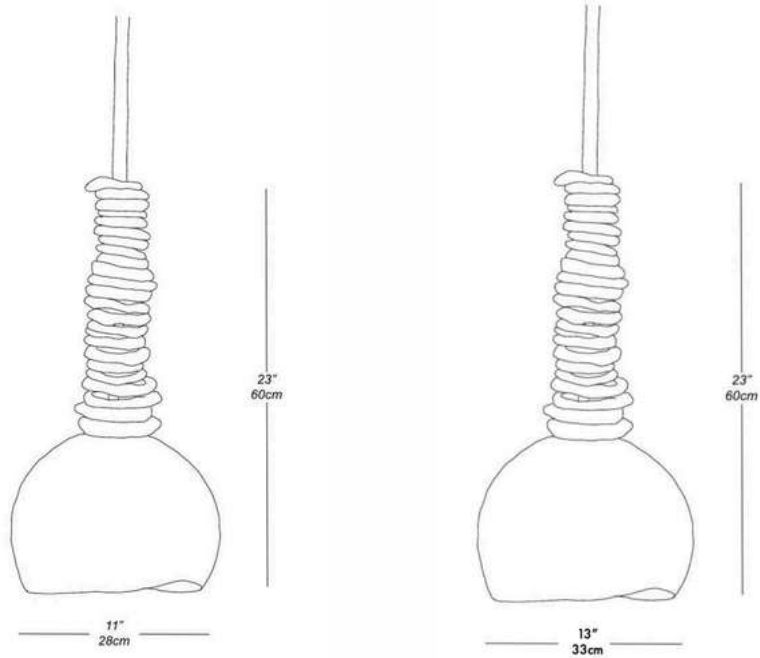


Channel Multilight Pendant - CROSLAND + EMMONS

Channel Multilight Pendant hand-sculpted in the US - CROSLAND + EMMONS

Coil Pendant, M

Coil Pendant, L



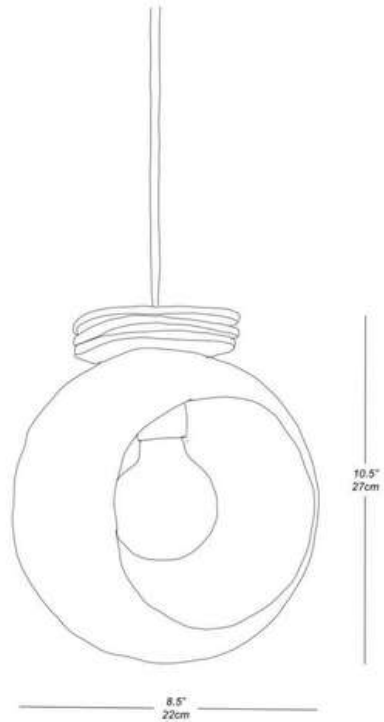
Coil Pendant hand-sculpted in the US - CROSLAND + EMMONS



Coil Pendant, M - CROSLAND + EMMONS

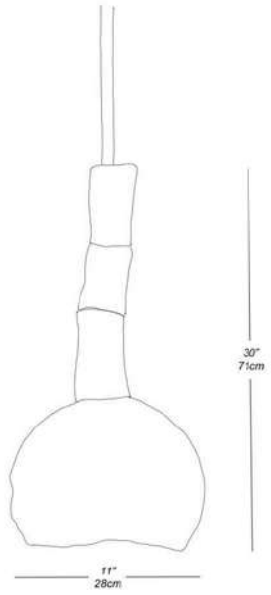
Coil Pendant hand-sculpted in the US - CROSLAND + EMMONS

Angel Pendant

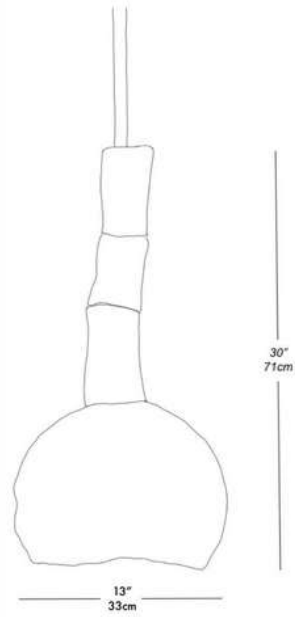


Angel Pendant - CROSLAND + EMMONS

Drift Pendant, M

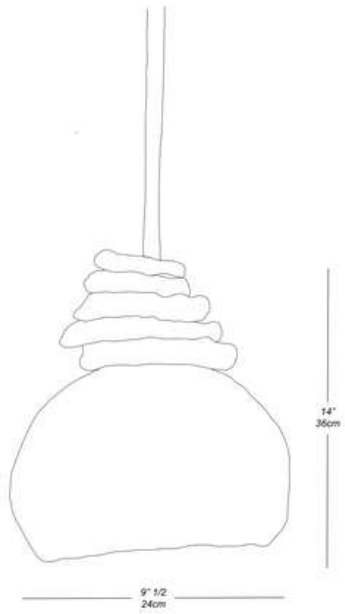


Drift Pendant, L

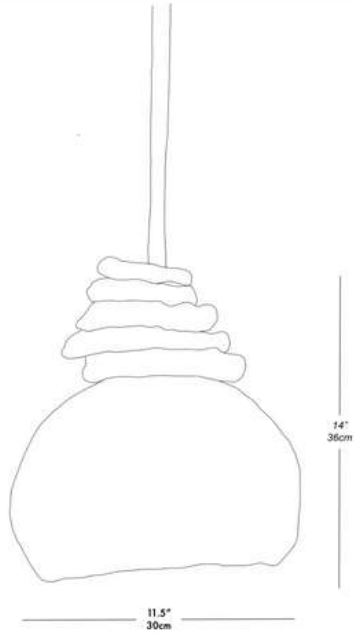


Drift Pendant - CROSLAND + EMMONS

Orbit Pendant, M



Orbit Pendant, L



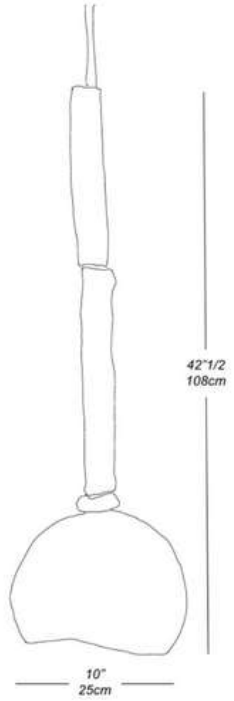
Orbit Pendant hand-sculpted in the US - CROSLAND + EMMONS



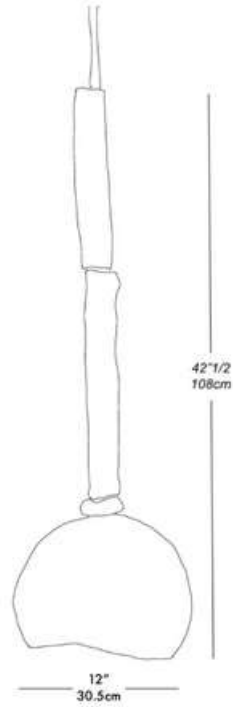
Orbit Pendant, M - CROSLAND + EMMONS

Orbit Pendant hand-sculpted in the US - CROSLAND + EMMONS

Towering Pendant, M



Towering Pendant, L



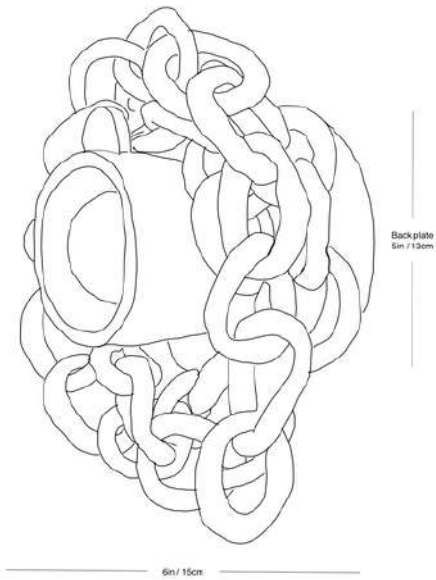
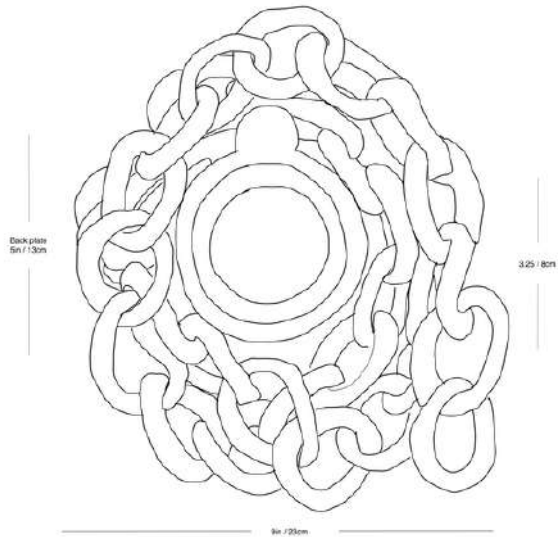
Towering Pendant hand-sculpted in the US - CROSLAND + EMMONS



Towering Pendant, L - CROSLAND + EMMONS

Towering Pendant hand-sculpted in the US - CROSLAND + EMMONS

Captured Sconce



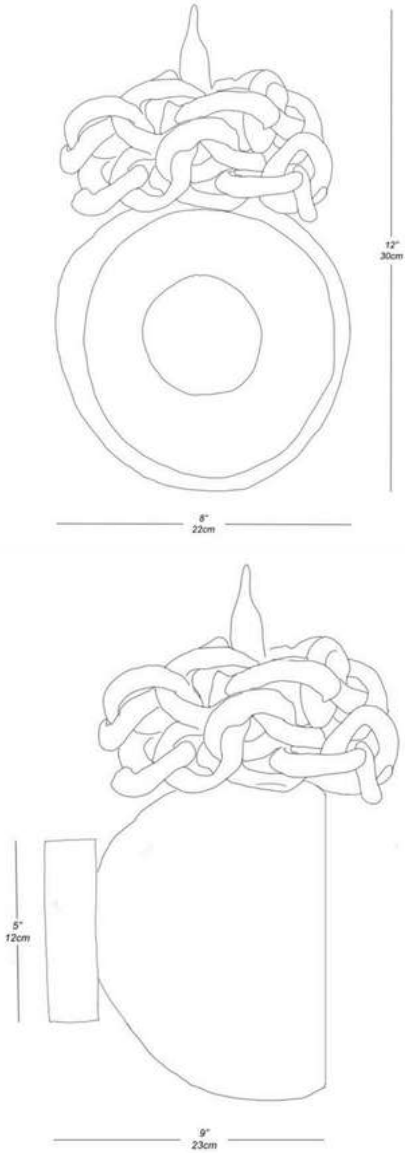
Captured Sconce hand-sculpted in the US - CROSLAND + EMMONS



Captured Sconce - CROSLAND + EMMONS

Captured Sconce hand-sculpted in the US - CROSLAND + EMMONS

Chain Wall Sconce



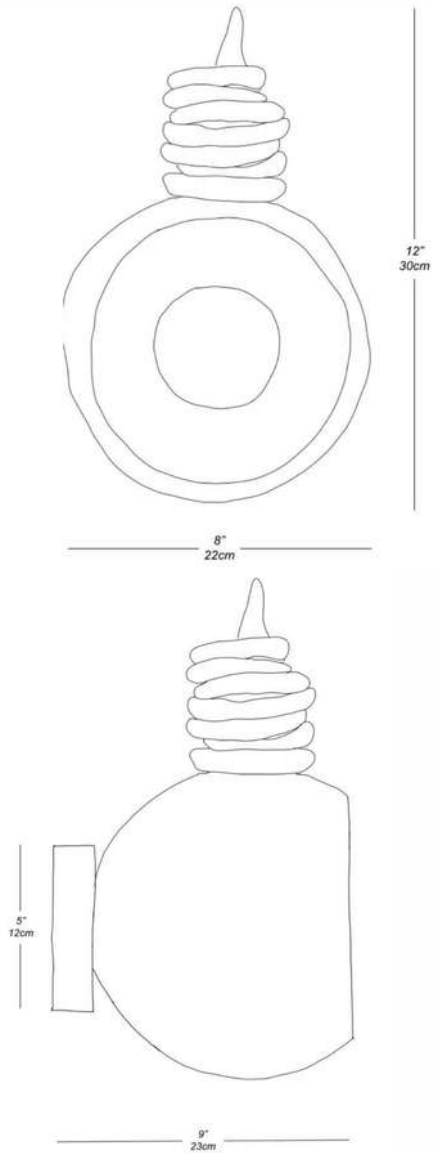
Chain Wall Sconce hand-sculpted in the US - CROSLAND + EMMONS



Chain Wall Sconce - CROSLAND + EMMONS

Chain Wall Sconce hand-sculpted in the US - CROSLAND + EMMONS

Coil Wall Sconce



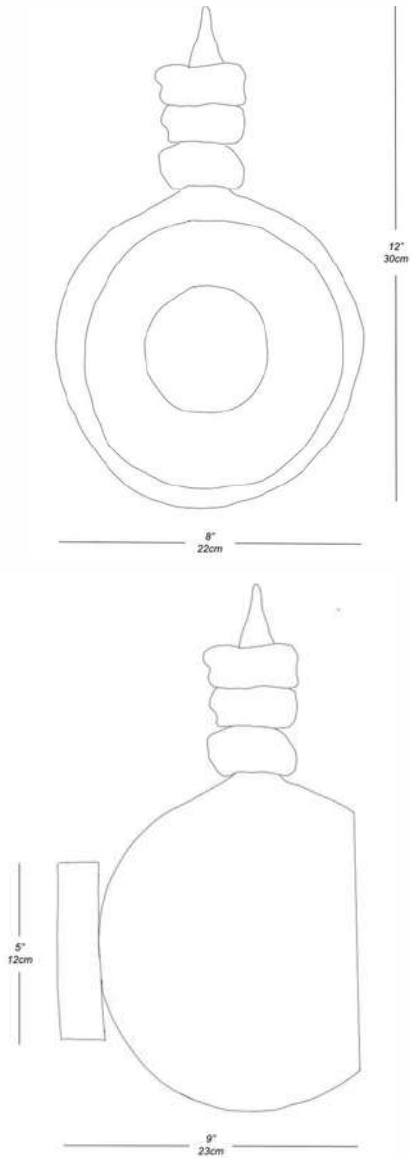
Coil Wall Sconce hand-sculpted in the US - CROSLAND + EMMONS



Coil Wall Sconce - CROSLAND + EMMONS

Coil Wall Sconce hand-sculpted in the US - CROSLAND + EMMONS

Orbit Wall Sconce



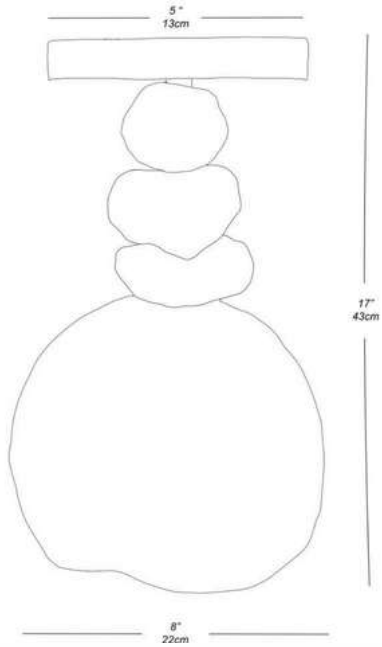
Orbit Wall Sconce hand-sculpted in the US - CROSLAND + EMMONS



Orbit Wall Sconce - CROSLAND + EMMONS

Orbit Wall Sconce hand-sculpted in the US - CROSLAND + EMMONS

Ore Ceiling Flushmount



Ore Ceiling Flushmount hand-sculpted in the US - CROSLAND + EMMONS



Ore Ceiling Flushmount - CROSLAND + EMMONS

Ore Ceiling Flushmount hand-sculpted in the US - CROSLAND + EMMONS



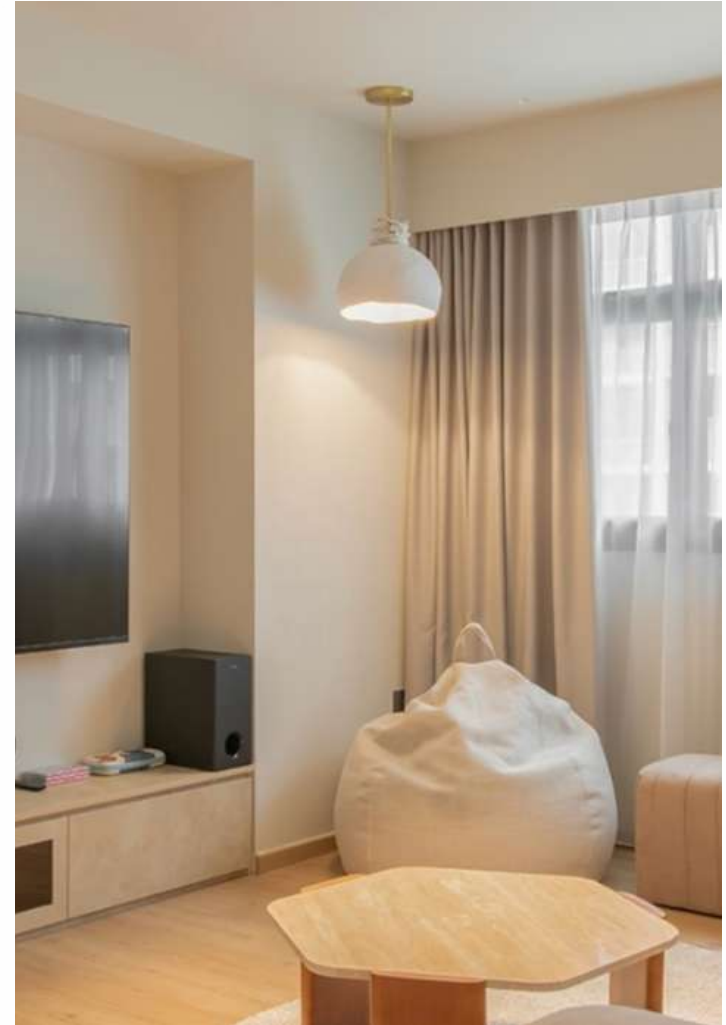
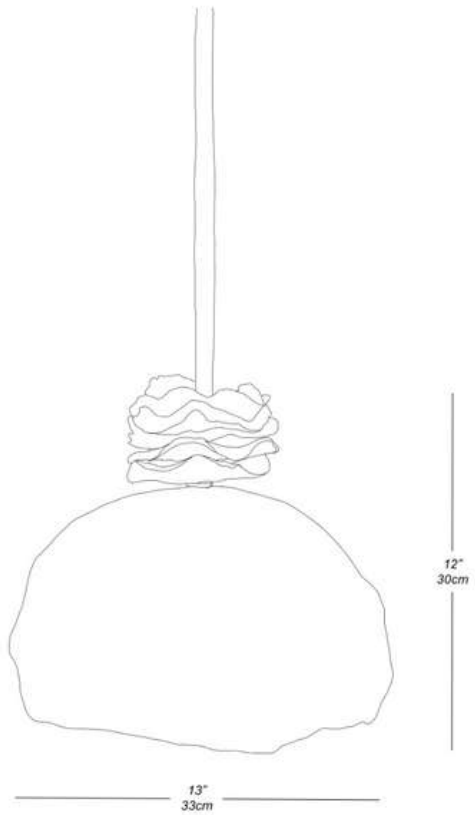
Crosland + Emmons

Collection JARDIN

Jardin Collection, is a complete range handmade in Stoneware in the US by Dana Castle. The collection includes a selection of options, to accommodate your space.

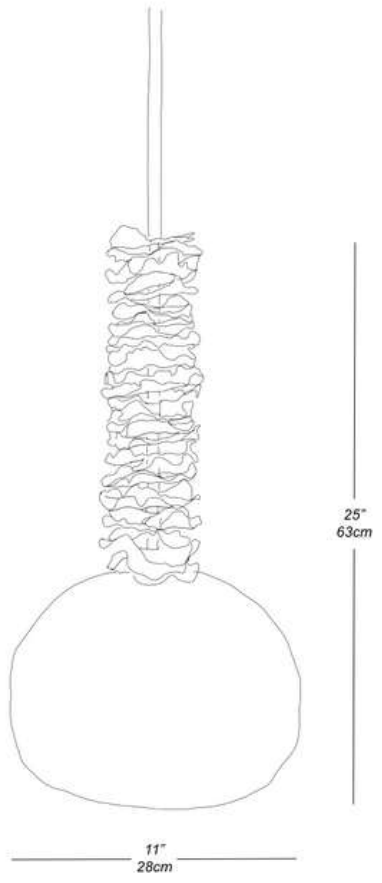
Each light is handcrafted and remains a unique model.

Lily Pad Pendant



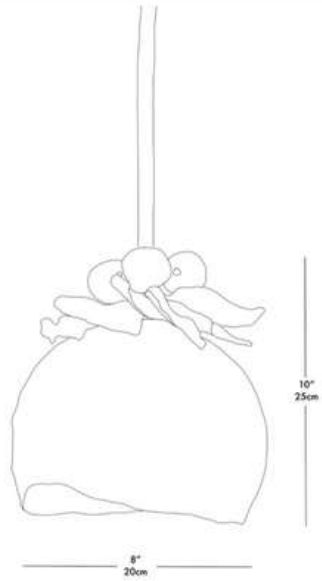
Lily Pad Pendant - CROSLAND + EMMONS

Sky of Lilies Pendant

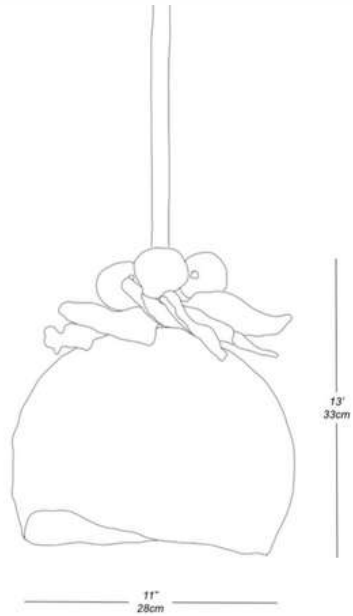


Sky of Lilies Pendant - CROSLAND + EMMONS

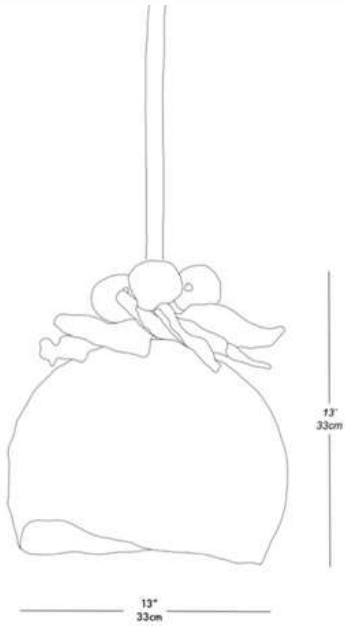
Flora Pendant, S



Flora Pendant, M

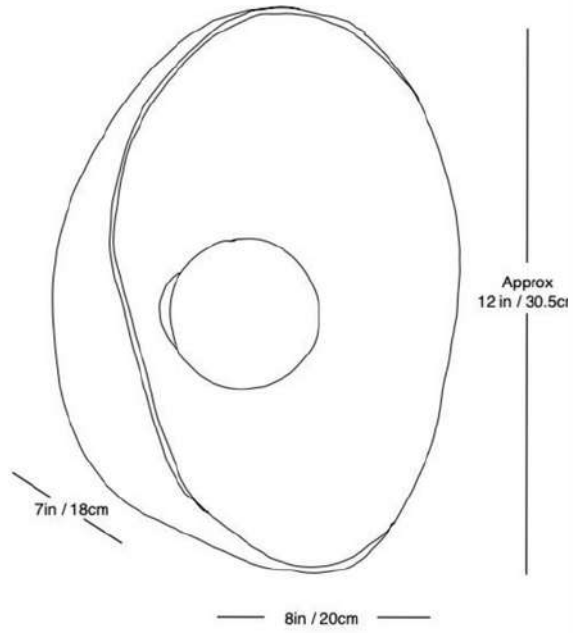


Flora Pendant, L



Flora Pendant, M - CROSLAND + EMMONS

Pearl Sconce



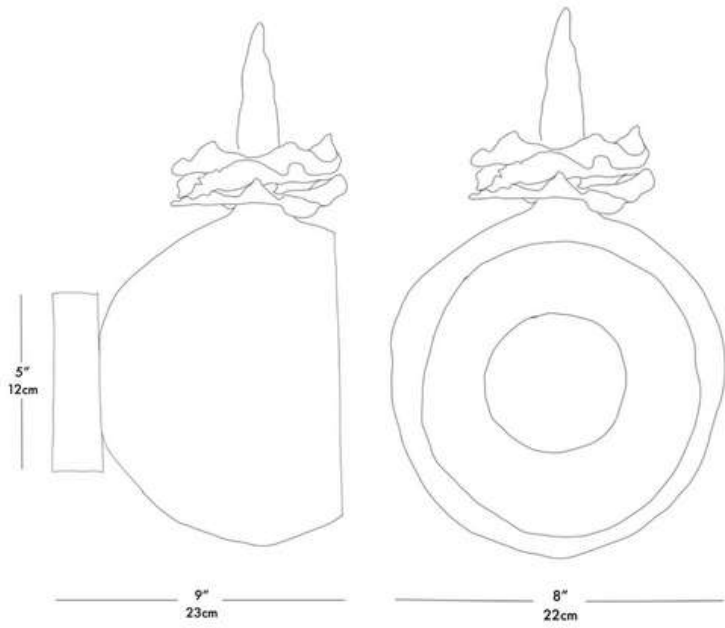
Pearl Sconce hand-sculpted in the US - CROSLAND + EMMONS



Peal Sconce - CROSLAND + EMMONS

Pearl Sconce hand-sculpted in the US - CROSLAND + EMMONS

Lily Wall Sconce

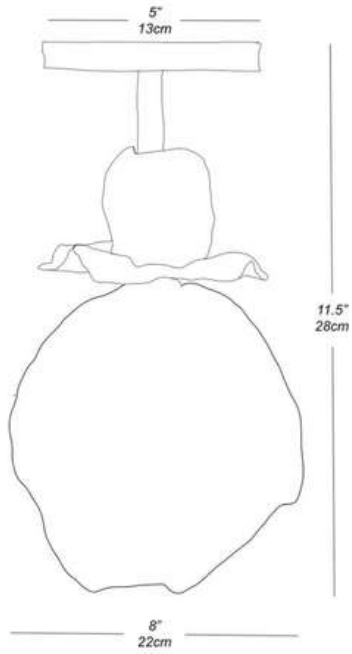


Lily Wall Sconce hand-sculpted in the US - CROSLAND + EMMONS



Lily Wall Sconce - CROSLAND + EMMONS

Pompon Ceiling Flushmount



Pompon Ceiling Flushmount - CROSLAND + EMMONS



Contact us

bonjour@swadoh.com

SWADOH.COM

SWADOH

NEW ORLEANS | PARIS